

# Installation Products for Industrial Applications



*Powering Business Worldwide*



# Optimum and powerful protection for every application

When it comes to protecting and switching, industry in many countries relies on Eaton products.

Top product quality as well as tested reliability and safety guarantee a high level of protection for people, installations and systems. Official approvals in many countries prove that Eaton builds its products in line with the latest national and international regulations.

## FAZ

<b>up to 15 kA</b>	IEC/EN 60947-2
<b>up to 10 kA</b>	IEC/EN 60898
<b>up to 10 kA</b>	UL 1077

## FAZ6

<b>10 kA</b>	IEC/EN 60947-2
<b>6 kA</b>	IEC/EN 60898

# Content FAZ Miniature Circuit Breakers (MCBs)



**FAZ**

- Characteristic B ..... 4
- Characteristic C ..... 5
- Characteristic D ..... 6
- Characteristic K ..... 7
- Characteristic Z ..... 8

**FAZ6**

- Characteristic B ..... 9
- Characteristic C ..... 9
- Characteristic D ..... 9

**Specifications**

- FAZ Specifications ..... 10-11
- FAZ6 Specifications ..... 12-13
- Tripping Characteristic ..... 14
- Accessories for FAZ / FAZ6 MCB's ..... 15-17

# FAZ | Characteristic B

## FAZ Miniature Circuit Breakers (MCBs) Characteristic B

Instantaneous release response current 3 - 5 x I<sub>n</sub>  
Breaking Capacity 15 kA (IEC/EN 60947-2) / 10 kA (IEC / EN 60898)



Rated operational current I <sub>n</sub>	1-pole		1+N-pole		2-pole	
	Part No.	Article No.	Part No.	Article No.	Part No.	Article No.
1	FAZ-B1/1	278520	FAZ-B1/1N	278633	FAZ-B1/2	278719
1.6	FAZ-B1,6/1	278522	FAZ-B1,6/1N	278635	FAZ-B1,6/2	278721
2	FAZ-B2/1	278523	FAZ-B2/1N	278636	FAZ-B2/2	278722
3	FAZ-B3/1	278525	FAZ-B3/1N	278638	FAZ-B3/2	278724
4	FAZ-B4/1	278527	FAZ-B4/1N	278640	FAZ-B4/2	278726
5	FAZ-B5/1	278528	FAZ-B5/1N	278641	FAZ-B5/2	278727
6	FAZ-B6/1	278529	FAZ-B6/1N	278642	FAZ-B6/2	278728
8	FAZ-B8/1	278530	FAZ-B8/1N	278643	FAZ-B8/2	278729
10	FAZ-B10/1	278531	FAZ-B10/1N	278644	FAZ-B10/2	278730
12	FAZ-B12/1	278532	FAZ-B12/1N	278645	FAZ-B12/2	278731
16	FAZ-B16/1	278535	FAZ-B16/1N	278648	FAZ-B16/2	278734
20	FAZ-B20/1	278536	FAZ-B20/1N	278649	FAZ-B20/2	278735
25	FAZ-B25/1	278537	FAZ-B25/1N	278650	FAZ-B25/2	278736
32	FAZ-B32/1	278538	FAZ-B32/1N	278651	FAZ-B32/2	278737
40	FAZ-B40/1	278539	FAZ-B40/1N	278652	FAZ-B40/2	278738
50	FAZ-B50/1	278540	FAZ-B50/1N	278653	FAZ-B50/2	278739
63	FAZ-B63/1	278541	FAZ-B63/1N	278654	FAZ-B63/2	278740



Rated operational current I <sub>n</sub>	3-pole		3+N pole		4-pole	
	Part No.	Article No.	Part No.	Article No.	Part No.	Article No.
1	FAZ-B1/3	278832	FAZ-B1/3N	278934	FAZ-B1/4	279020
1.6	FAZ-B1,6/3	278834	FAZ-B1,6/3N	278936	FAZ-B1,6/4	279022
2	FAZ-B2/3	278835	FAZ-B2/3N	278937	FAZ-B2/4	279023
3	FAZ-B3/3	278837	FAZ-B3/3N	278939	FAZ-B3/4	279025
4	FAZ-B4/3	278839	FAZ-B4/3N	278941	FAZ-B4/4	279027
5	FAZ-B5/3	278840	FAZ-B5/3N	278942	FAZ-B5/4	279028
6	FAZ-B6/3	278841	FAZ-B6/3N	278943	FAZ-B6/4	279029
8	FAZ-B8/3	278842	FAZ-B8/3N	278944	FAZ-B8/4	279030
10	FAZ-B10/3	278843	FAZ-B10/3N	278945	FAZ-B10/4	279031
12	FAZ-B12/3	278844	FAZ-B12/3N	278946	FAZ-B12/4	279032
16	FAZ-B16/3	278847	FAZ-B16/3N	278949	FAZ-B16/4	279035
20	FAZ-B20/3	278848	FAZ-B20/3N	278950	FAZ-B20/4	279036
25	FAZ-B25/3	278849	FAZ-B25/3N	278951	FAZ-B25/4	279037
32	FAZ-B32/3	278850	FAZ-B32/3N	278952	FAZ-B32/4	279038
40	FAZ-B40/3	278851	FAZ-B40/3N	278953	FAZ-B40/4	279039
50	FAZ-B50/3	278852	FAZ-B50/3N	278954	FAZ-B50/4	279040
63	FAZ-B63/3	278853	FAZ-B63/3N	278955	FAZ-B63/4	279041

# FAZ | Characteristic C

## FAZ Miniature Circuit Breakers (MCBs) Characteristic C

Instantaneous release response current 5 - 10 x I<sub>n</sub>  
Breaking Capacity 15 kA (IEC/EN 60947-2) / 10 kA (IEC / EN 60898)



Rated operational current I <sub>n</sub>	1-pole		1+N-pole		2-pole	
	Part No.	Article No.	Part No.	Article No.	Part No.	Article No.
0.16	FAZ-C0,16/1	278542	FAZ-C0,16/1N	278655	FAZ-C0,16/2	278741
0.25	FAZ-C0,25/1	278543	FAZ-C0,25/1N	278656	FAZ-C0,25/2	278742
0.5	FAZ-C0,5/1	278544	FAZ-C0,5/1N	278657	FAZ-C0,5/2	278743
1	FAZ-C1/1	278546	FAZ-C1/1N	278659	FAZ-C1/2	278745
1.6	FAZ-C1,6/1	278548	FAZ-C1,6/1N	278661	FAZ-C1,6/2	278747
2	FAZ-C2/1	278549	FAZ-C2/1N	278662	FAZ-C2/2	278748
3	FAZ-C3/1	278551	FAZ-C3/1N	278664	FAZ-C3/2	278750
4	FAZ-C4/1	278553	FAZ-C4/1N	278666	FAZ-C4/2	278752
5	FAZ-C5/1	278554	FAZ-C5/1N	278667	FAZ-C5/2	278753
6	FAZ-C6/1	278555	FAZ-C6/1N	278668	FAZ-C6/2	278754
8	FAZ-C8/1	278556	FAZ-C8/1N	278669	FAZ-C8/2	278755
10	FAZ-C10/1	278557	FAZ-C10/1N	278670	FAZ-C10/2	278756
12	FAZ-C12/1	278558	FAZ-C12/1N	278671	FAZ-C12/2	278757
16	FAZ-C16/1	278561	FAZ-C16/1N	278674	FAZ-C16/2	278760
20	FAZ-C20/1	278562	FAZ-C20/1N	278675	FAZ-C20/2	278761
25	FAZ-C25/1	278563	FAZ-C25/1N	278676	FAZ-C25/2	278762
32	FAZ-C32/1	278564	FAZ-C32/1N	278677	FAZ-C32/2	278763
40	FAZ-C40/1	278565	FAZ-C40/1N	278678	FAZ-C40/2	278764
50	FAZ-C50/1	278566	FAZ-C50/1N	278679	FAZ-C50/2	278765
63	FAZ-C63/1	278567	FAZ-C63/1N	278680	FAZ-C63/2	278766



Rated operational current I <sub>n</sub>	3-pole		3+N pole		4-pole	
	Part No.	Article No.	Part No.	Article No.	Part No.	Article No.
0.16	FAZ-C0,16/3	278854	FAZ-C0,16/3N	278956	FAZ-C0,16/4	279042
0.25	FAZ-C0,25/3	278855	FAZ-C0,25/3N	278957	FAZ-C0,25/4	279043
0.5	FAZ-C0,5/3	278856	FAZ-C0,5/3N	278958	FAZ-C0,5/4	279044
1	FAZ-C1/3	278858	FAZ-C1/3N	278960	FAZ-C1/4	279046
1.6	FAZ-C1,6/3	278860	FAZ-C1,6/3N	278962	FAZ-C1,6/4	279048
2	FAZ-C2/3	278861	FAZ-C2/3N	278963	FAZ-C2/4	279049
3	FAZ-C3/3	278863	FAZ-C3/3N	278965	FAZ-C3/4	279051
4	FAZ-C4/3	278865	FAZ-C4/3N	278967	FAZ-C4/4	279053
5	FAZ-C5/3	278866	FAZ-C5/3N	278968	FAZ-C5/4	279054
6	FAZ-C6/3	278867	FAZ-C6/3N	278969	FAZ-C6/4	279055
8	FAZ-C8/3	278868	FAZ-C8/3N	278970	FAZ-C8/4	279056
10	FAZ-C10/3	278869	FAZ-C10/3N	278971	FAZ-C10/4	279057
12	FAZ-C12/3	278870	FAZ-C12/3N	278972	FAZ-C12/4	279058
16	FAZ-C16/3	278873	FAZ-C16/3N	278975	FAZ-C16/4	279061
20	FAZ-C20/3	278874	FAZ-C20/3N	278976	FAZ-C20/4	279062
25	FAZ-C25/3	278875	FAZ-C25/3N	278977	FAZ-C25/4	279063
32	FAZ-C32/3	278876	FAZ-C32/3N	278978	FAZ-C32/4	279064
40	FAZ-C40/3	278877	FAZ-C40/3N	278979	FAZ-C40/4	279065
50	FAZ-C50/3	278878	FAZ-C50/3N	278980	FAZ-C50/4	279066
63	FAZ-C63/3	278879	FAZ-C63/3N	278981	FAZ-C63/4	279067

# FAZ | Characteristic D

## FAZ Miniature Circuit Breakers (MCBs) Characteristic D

Instantaneous release response current 10 - 20 x I<sub>n</sub>  
Breaking Capacity 15 kA (IEC/EN 60947-2) / 10 kA (IEC / EN 60898)



Rated operational current I <sub>n</sub>	1-pole		1+N-pole		2-pole	
	Part No.	Article No.	Part No.	Article No.	Part No.	Article No.
0.5	FAZ-D0,5/1	278568	FAZ-D0,5/1N	278681	FAZ-D0,5/2	278767
1	FAZ-D1/1	278569	FAZ-D1/1N	278682	FAZ-D1/2	278768
1.6	FAZ-D1,6/1	278571	FAZ-D1,6/1N	278684	FAZ-D1,6/2	278770
2	FAZ-D2/1	278572	FAZ-D2/1N	278685	FAZ-D2/2	278771
3	FAZ-D3/1	278574	FAZ-D3/1N	278687	FAZ-D3/2	278773
4	FAZ-D4/1	278576	FAZ-D4/1N	278689	FAZ-D4/2	278775
5	FAZ-D5/1	278577	FAZ-D5/1N	278690	FAZ-D5/2	278776
6	FAZ-D6/1	278578	FAZ-D6/1N	278691	FAZ-D6/2	278777
8	FAZ-D8/1	278579	FAZ-D8/1N	278692	FAZ-D8/2	278778
10	FAZ-D10/1	278580	FAZ-D10/1N	278693	FAZ-D10/2	278779
12	FAZ-D12/1	278581	FAZ-D12/1N	278694	FAZ-D12/2	278780
16	FAZ-D16/1	278584	FAZ-D16/1N	278697	FAZ-D16/2	278783
20	FAZ-D20/1	278585	FAZ-D20/1N	278698	FAZ-D20/2	278784
25	FAZ-D25/1	278586	FAZ-D25/1N	278699	FAZ-D25/2	278785
32	FAZ-D32/1	278587	FAZ-D32/1N	278700	FAZ-D32/2	278786
40	FAZ-D40/1	278588	FAZ-D40/1N	278701	FAZ-D40/2	278787
50	FAZ-D50/1	115370	FAZ-D50/1N	115378	FAZ-D50/2	115372
63	FAZ-D63/1	115371	FAZ-D63/1N	115379	FAZ-D63/2	115373



Rated operational current I <sub>n</sub>	3-pole		3+N pole		4-pole	
	Part No.	Article No.	Part No.	Article No.	Part No.	Article No.
0.5	FAZ-D0,5/3	278880	FAZ-D0,5/3N	278982	FAZ-D0,5/4	279068
1	FAZ-D1/3	278881	FAZ-D1/3N	278983	FAZ-D1/4	279069
1.6	FAZ-D1,6/3	278883	FAZ-D1,6/3N	278985	FAZ-D1,6/4	279071
2	FAZ-D2/3	278884	FAZ-D2/3N	278986	FAZ-D2/4	279072
3	FAZ-D3/3	278886	FAZ-D3/3N	278988	FAZ-D3/4	279074
4	FAZ-D4/3	278888	FAZ-D4/3N	278990	FAZ-D4/4	279076
5	FAZ-D5/3	278889	FAZ-D5/3N	278991	FAZ-D5/4	279077
6	FAZ-D6/3	278890	FAZ-D6/3N	278992	FAZ-D6/4	279078
8	FAZ-D8/3	278891	FAZ-D8/3N	278993	FAZ-D8/4	279079
10	FAZ-D10/3	278892	FAZ-D10/3N	278994	FAZ-D10/4	279080
12	FAZ-D12/3	278893	FAZ-D12/3N	278995	FAZ-D12/4	279081
16	FAZ-D16/3	278896	FAZ-D16/3N	278998	FAZ-D16/4	279084
20	FAZ-D20/3	278897	FAZ-D20/3N	278999	FAZ-D20/4	279085
25	FAZ-D25/3	278898	FAZ-D25/3N	279000	FAZ-D25/4	279086
32	FAZ-D32/3	278899	FAZ-D32/3N	279001	FAZ-D32/4	279087
40	FAZ-D40/3	278900	FAZ-D40/3N	279002	FAZ-D40/4	279088
50	FAZ-D50/3	115374	FAZ-D50/3N	115380	FAZ-D50/4	115376
63	FAZ-D63/3	115375	FAZ-D63/3N	115381	FAZ-D63/4	115377

# FAZ | Characteristic K

## FAZ Miniature Circuit Breakers (MCBs) Characteristic K

Instantaneous release response current 8 - 12 x I<sub>n</sub>  
Breaking Capacity 15 kA (IEC/EN 60947-2) / 10 kA (IEC / EN 60898)



Rated operational current I <sub>n</sub>	1-pole		1+N-pole		2-pole	
	Part No.	Article No.	Part No.	Article No.	Part No.	Article No.
0.5	FAZ-K0,5/1	278589	FAZ-K0,5/1N	278702	FAZ-K0,5/2	278788
1	FAZ-K1/1	278590	FAZ-K1/1N	278703	FAZ-K1/2	278789
1.6	FAZ-K1,6/1	278591	FAZ-K1,6/1N	278704	FAZ-K1,6/2	278790
2	FAZ-K2/1	278592	FAZ-K2/1N	278705	FAZ-K2/2	278791
3	FAZ-K3/1	278593	FAZ-K3/1N	278706	FAZ-K3/2	278792
4	FAZ-K4/1	278594	FAZ-K4/1N	278707	FAZ-K4/2	278793
6	FAZ-K6/1	278595	FAZ-K6/1N	278708	FAZ-K6/2	278794
8	FAZ-K8/1	278596	FAZ-K8/1N	278709	FAZ-K8/2	278795
10	FAZ-K10/1	278597	FAZ-K10/1N	278710	FAZ-K10/2	278796
16	FAZ-K16/1	278599	FAZ-K16/1N	278712	FAZ-K16/2	278798
20	FAZ-K20/1	278600	FAZ-K20/1N	278713	FAZ-K20/2	278799
25	FAZ-K25/1	278601	FAZ-K25/1N	278714	FAZ-K25/2	278800
32	FAZ-K32/1	278602	FAZ-K32/1N	278715	FAZ-K32/2	278801
40	FAZ-K40/1	278603	FAZ-K40/1N	278716	FAZ-K40/2	278802
50	FAZ-K50/1	278604	FAZ-K50/1N	278717	FAZ-K50/2	278803
63	FAZ-K63/1	278605	FAZ-K63/1N	278718	FAZ-K63/2	278804



Rated operational current I <sub>n</sub>	3-pole		3+N pole		4-pole	
	Part No.	Article No.	Part No.	Article No.	Part No.	Article No.
0.5	FAZ-K0,5/3	278901	FAZ-K0,5/3N	279003	FAZ-K0,5/4	279089
1	FAZ-K1/3	278902	FAZ-K1/3N	279004	FAZ-K1/4	279090
1.6	FAZ-K1,6/3	278903	FAZ-K1,6/3N	279005	FAZ-K1,6/4	279091
2	FAZ-K2/3	278904	FAZ-K2/3N	279006	FAZ-K2/4	279092
3	FAZ-K3/3	278905	FAZ-K3/3N	279007	FAZ-K3/4	279093
4	FAZ-K4/3	278906	FAZ-K4/3N	279008	FAZ-K4/4	279094
6	FAZ-K6/3	278907	FAZ-K6/3N	279009	FAZ-K6/4	279095
8	FAZ-K8/3	278908	FAZ-K8/3N	279010	FAZ-K8/4	279096
10	FAZ-K10/3	278909	FAZ-K10/3N	279011	FAZ-K10/4	279097
16	FAZ-K16/3	278911	FAZ-K16/3N	279013	FAZ-K16/4	279099
20	FAZ-K20/3	278912	FAZ-K20/3N	279014	FAZ-K20/4	279100
25	FAZ-K25/3	278913	FAZ-K25/3N	279015	FAZ-K25/4	279101
32	FAZ-K32/3	278914	FAZ-K32/3N	279016	FAZ-K32/4	279102
40	FAZ-K40/3	278915	FAZ-K40/3N	279017	FAZ-K40/4	279103
50	FAZ-K50/3	278916	FAZ-K50/3N	279018	FAZ-K50/4	279104
63	FAZ-K63/3	278917	FAZ-K63/3N	279019	FAZ-K63/4	279105

# FAZ | Characteristic Z

## FAZ Miniature Circuit Breakers (MCBs) Characteristic Z

Instantaneous release response current 2 - 3 x I<sub>n</sub>  
Breaking Capacity 15 kA (IEC/EN 60947-2) / 10 kA (IEC / EN 60898)



Rated operational current I <sub>n</sub>	1-pole		2-pole		3-pole	
	Part No.	Article No.	Part No.	Article No.	Part No.	Article No.
0.5	FAZ-Z0,5/1	278617	FAZ-Z0,5/2	278816	FAZ-Z0,5/3	278918
1	FAZ-Z1/1	278618	FAZ-Z1/2	278817	FAZ-Z1/3	278919
1.6	FAZ-Z1,6/1	278619	FAZ-Z1,6/2	278818	FAZ-Z1,6/3	278920
2	FAZ-Z2/1	278620	FAZ-Z2/2	278819	FAZ-Z2/3	278921
3	FAZ-Z3/1	278621	FAZ-Z3/2	278820	FAZ-Z3/3	278922
4	FAZ-Z4/1	278622	FAZ-Z4/2	278821	FAZ-Z4/3	278923
6	FAZ-Z6/1	278623	FAZ-Z6/2	278822	FAZ-Z6/3	278924
8	FAZ-Z8/1	278624	FAZ-Z8/2	278823	FAZ-Z8/3	278925
10	FAZ-Z10/1	278625	FAZ-Z10/2	278824	FAZ-Z10/3	278926
16	FAZ-Z16/1	278626	FAZ-Z16/2	278825	FAZ-Z16/3	278927
20	FAZ-Z20/1	278627	FAZ-Z20/2	278826	FAZ-Z20/3	278928
25	FAZ-Z25/1	278628	FAZ-Z25/2	278827	FAZ-Z25/3	278929
32	FAZ-Z32/1	278629	FAZ-Z32/2	278828	FAZ-Z32/3	278930
40	FAZ-Z40/1	278630	FAZ-Z40/2	278829	FAZ-Z40/3	278931
50	FAZ-Z50/1	278631	FAZ-Z50/2	278830	FAZ-Z50/3	278932
63	FAZ-Z63/1	278632	FAZ-Z63/2	278831	FAZ-Z63/3	278933



Rated operational current I <sub>n</sub>	4-pole	
	Part No.	Article No.
0.5	FAZ-Z0,5/4	279106
1	FAZ-Z1/4	279107
1.6	FAZ-Z1,6/4	279108
2	FAZ-Z2/4	279109
3	FAZ-Z3/4	279110
4	FAZ-Z4/4	279111
6	FAZ-Z6/4	279112
8	FAZ-Z8/4	279113
10	FAZ-Z10/4	279114
16	FAZ-Z16/4	279115
20	FAZ-Z20/4	279116
25	FAZ-Z25/4	279117
32	FAZ-Z32/4	279118
40	FAZ-Z40/4	279119
50	FAZ-Z50/4	279120
63	FAZ-Z63/4	279121



# FAZ6 | Characteristic B

## FAZ6 Miniature Circuit Breakers (MCBs) Characteristic B

Instantaneous release response current 3 - 5 x I<sub>n</sub>  
 Breaking Capacity 10 kA (IEC/EN 60947-2) / 6 kA (IEC / EN 60898)



Rated operational current I <sub>n</sub>	1-pole		2-pole		3-pole		4-pole	
	Part No.	Article No.	Part No.	Article No.	Part No.	Article No.	Part No.	Article No.
6	FAZ6-B6/1	239001	FAZ6-B6/2	239085	FAZ6-B6/3	239110	FAZ6-B6/4	239180
10	FAZ6-B10/1	239006	FAZ6-B10/2	239086	FAZ6-B10/3	239111	FAZ6-B10/4	239181
16	FAZ6-B16/1	239016	FAZ6-B16/2	239088	FAZ6-B16/3	239113	FAZ6-B16/4	239183
20	FAZ6-B20/1	239023	FAZ6-B20/2	239089	FAZ6-B20/3	239114	FAZ6-B20/4	239184
25	FAZ6-B25/1	239024	FAZ6-B25/2	239090	FAZ6-B25/3	239115	FAZ6-B25/4	239185
32	FAZ6-B32/1	239025	FAZ6-B32/2	239091	FAZ6-B32/3	239116	FAZ6-B32/4	239186
40	FAZ6-B40/1	239026	FAZ6-B40/2	239092	FAZ6-B40/3	239117	FAZ6-B40/4	239187
50	FAZ6-B50/1	239027	FAZ6-B50/2	239093	FAZ6-B50/3	239118	FAZ6-B50/4	239188
63	FAZ6-B63/1	239028	FAZ6-B63/2	239094	FAZ6-B63/3	239119	FAZ6-B63/4	239189

# FAZ6 | Characteristic C

## FAZ6 Miniature Circuit Breakers (MCBs) Characteristic C

Instantaneous release response current 5 - 10 x I<sub>n</sub>  
 Breaking Capacity 10 kA (IEC/EN 60947-2) / 6 kA (IEC / EN 60898)



Rated operational current I <sub>n</sub>	1-pole		2-pole		3-pole		4-pole	
	Part No.	Article No.	Part No.	Article No.	Part No.	Article No.	Part No.	Article No.
0.5	FAZ6-C0,5/1	239029	FAZ6-C0,5/2	239095	FAZ6-C0,5/3	239120	FAZ6-C0,5/4*	239190
1	FAZ6-C1/1	239030	FAZ6-C1/2	239096	FAZ6-C1/3	239121	FAZ6-C1/4	239191
2	FAZ6-C2/1	239031	FAZ6-C2/2	239097	FAZ6-C2/3	239122	FAZ6-C2/4	239192
3	FAZ6-C3/1	239032	FAZ6-C3/2	239098	FAZ6-C3/3	239127	FAZ6-C3/4	239193
4	FAZ6-C4/1	239033	FAZ6-C4/2	239099	FAZ6-C4/3	239132	FAZ6-C4/4	239194
6	FAZ6-C6/1	239034	FAZ6-C6/2	239100	FAZ6-C6/3	239139	FAZ6-C6/4	239199
10	FAZ6-C10/1	239035	FAZ6-C10/2	239101	FAZ6-C10/3	239144	FAZ6-C10/4	239204
16	FAZ6-C16/1	239037	FAZ6-C16/2	239103	FAZ6-C16/3	239148	FAZ6-C16/4	239216
20	FAZ6-C20/1	239038	FAZ6-C20/2	239104	FAZ6-C20/3	239149	FAZ6-C20/4	239219
25	FAZ6-C25/1	239039	FAZ6-C25/2	239105	FAZ6-C25/3	239150	FAZ6-C25/4	239220
32	FAZ6-C32/1	239040	FAZ6-C32/2	239106	FAZ6-C32/3	239151	FAZ6-C32/4	239221
40	FAZ6-C40/1	239041	FAZ6-C40/2	239107	FAZ6-C40/3	239152	FAZ6-C40/4	239222
50	FAZ6-C50/1	239042	FAZ6-C50/2	239108	FAZ6-C50/3	239153	FAZ6-C50/4	239223
63	FAZ6-C63/1	239043	FAZ6-C63/2	239109	FAZ6-C63/3	239154	FAZ6-C63/4	239224

# FAZ6 | Characteristic D

## FAZ6 Miniature Circuit Breakers (MCBs) Characteristic D

Instantaneous release response current 10 - 20 x I<sub>n</sub>  
 Breaking Capacity 10 kA (IEC/EN 60947-2) / 6 kA (IEC / EN 60898)



Rated operational current I <sub>n</sub>	1-pole		2-pole		3-pole		4-pole	
	Part No.	Article No.	Part No.	Article No.	Part No.	Article No.	Part No.	Article No.
6	FAZ6-D6/1	168061	FAZ6-D6/2	168070	FAZ6-D6/3	168079	FAZ6-D6/4	168088
10	FAZ6-D10/1	168062	FAZ6-D10/2	168071	FAZ6-D10/3	168080	FAZ6-D10/4	168089
16	FAZ6-D16/1	168063	FAZ6-D16/2	168072	FAZ6-D16/3	168081	FAZ6-D16/4	168090
20	FAZ6-D20/1	168064	FAZ6-D20/2	168073	FAZ6-D20/3	168082	FAZ6-D20/4	168091
25	FAZ6-D25/1	168065	FAZ6-D25/2	168074	FAZ6-D25/3	168083	FAZ6-D25/4	168092
32	FAZ6-D32/1	168066	FAZ6-D32/2	168075	FAZ6-D32/3	168084	FAZ6-D32/4	168093
40	FAZ6-D40/1	168067	FAZ6-D40/2	168076	FAZ6-D40/3	168085	FAZ6-D40/4	168094
50	FAZ6-D50/1	168068	FAZ6-D50/2	168077	FAZ6-D50/3	168086	FAZ6-D50/4	168095
63	FAZ6-D63/1	168069	FAZ6-D63/2	168078	FAZ6-D63/3	168087	FAZ6-D63/4	168096

# FAZ | Specifications

## Specifications

### Technical data

	B Curve	C Curve	D Curve
<b>Electrical</b>			
Approvals	UR (UL 1077), CSA (CSA 22.2 No. 235)		
Standards	IEC/EN 60947-2		
Short-circuit trip response	3–5 $I_n$	5–10 $I_n$	10–20 $I_n$
<b>Miniature Circuit Breaker—IEC</b>			
Current range	1–63A	0.5–63A	0.5–63A
Maximum voltage ratings—IEC 60947-2			
Single-pole	230 Vac 48 Vdc	230 Vac 48 Vdc	230 Vac 48 Vdc
Two-, three-pole	230/400 Vac	230/400 Vac	230/400 Vac
Maximum Voltage Ratings—IEC 60898			
Single-pole	240 Vac 48 Vdc	240 Vac 48 Vdc	240 Vac 48 Vdc
Two-, three-pole	240/415 Vac	240/415 Vac	240/415 Vac
Thermal tripping characteristics			
Single-pole	> 1 hour @ 1.05 x $I_n$	> 1 hour @ 1.05 x $I_n$	> 1 hour @ 1.05 x $I_n$
Multi-pole	< 1 hour @ 1.3 x $I_n$	< 1 hour @ 1.3 x $I_n$	< 1 hour @ 1.3 x $I_n$
Interrupt ratings (at max. voltage)			
IEC 60947-2	15 kA	15 kA	15 kA
IEC 60898	10 kA	10 kA	10 kA
Operational switching capacity	7.5 kA	7.5 kA	7.5 kA
Max. back-up fuse [gL/gG]	125A	125A	125A
Rated impulse withstand— $U_{imp}$	4000 Vac	4000 Vac	4000 Vac
Rated insulation voltage— $U_i$	440 Vac	440 Vac	440 Vac
<b>Supplementary Protectors—UL/CSA</b>			
Current range	1–63A	0.5–63A	0.5–40A
Maximum voltage ratings—UL/CSA			
Single-pole	277 Vac 48 Vdc	277 Vac 48 Vdc	277 Vac 48 Vdc
Two-, three-pole	480Y/277 Vac	480Y/277 Vac	480Y/277 Vac
Two poles in series	96 Vdc	96 Vdc	96 Vdc
Thermal tripping characteristics			
Single-pole	1.35 x $I_n$ @ 40°C	1.35 x $I_n$ @ 40°C	1.35 x $I_n$ @ 40°C
Multi-pole	1.45 x $I_n$ @ 40°C	1.45 x $I_n$ @ 40°C	1.45 x $I_n$ @ 40°C
Short-circuit ratings (at max. voltage)			
Single-pole	10 kA (5 kA for 40–63A device)	10 kA (5 kA for 40–63A device)	5 kA
Two-, three-pole	10 kA (5 kA for 40–63A device)	10 kA (5 kA for 40–63A device)	5 kA
Single-pole	10 kA @ 48 Vdc	10 kA @ 48 Vdc	10 kA @ 48 Vdc
Two poles in series	10 kA @ 96 Vdc	10 kA @ 96 Vdc	10 kA @ 96 Vdc
<b>Environmental/General</b>			
Selectivity class	3	3	3
Lifespan (operations)	> 10000 (1 operation = ON/OFF)	> 10000 (1 operation = ON/OFF)	> 10000 (1 operation = ON/OFF)
Shock (IEC 68-2-22)	10g–120 ms	10g–120 ms	10g–120 ms
Operating temperature range	-40 to +75°C	-40 to +75°C	-40 to +75°C
<b>Mechanical</b>			
Standard front dimension			
Device height	80 mm	80 mm	80 mm
Terminal protection	Finger and back-of-hand proof	Finger and back-of-hand proof	Finger and back-of-hand proof
Mounting width per pole	17.5 mm	17.5 mm	17.5 mm
Mounting	IEC/EN 60715 top-hat rail	IEC/EN 60715 top-hat rail	IEC/EN 60715 top-hat rail
Degree of protection	IP20	IP20	IP20
Terminals top and bottom	Twin-purpose terminals	Twin-purpose terminals	Twin-purpose terminals
Supply connection	Line or load side	Line or load side	Line or load side
Terminal capacity [mm <sup>2</sup> ]	1 x 25 / 2 x 10	1 x 25 / 2 x 10	1 x 25 / 2 x 10
Torque	2.4 Nm	2.4 Nm	2.4 Nm
Thickness of busbar material	0.8–2 mm	0.8–2 mm	0.8–2 mm
Mounting position	As required	As required	As required

# FAZ | Specifications

## Specifications

### Technical Data (continued)

	K Curve	Z Curve
<b>Electrical</b>		
Approvals	UR (UL 1077), CSA (CSA 22.2 No. 235), CE, VDE	
Standards	IEC/EN 60947-2	
Short-circuit trip response	8–12 $I_n$	2–3 $I_n$
<b>Miniature Circuit Breaker—IEC</b>		
Current range	0.5–63A	1–63A
Maximum voltage ratings—IEC 60947-2		
Single-pole, single-pole + neutral	240 Vac	240 Vac
Two-, three-, four-pole, three-pole + neutral	240/415 Vac	240/415 Vac
Thermal tripping characteristics		
Single-pole	> 1 hour @ 1.05 x $I_n$	> 1 hour @ 1.05 x $I_n$
Multi-pole	< 1 hour @ 1.3 x $I_n$	< 1 hour @ 1.3 x $I_n$
Interrupt ratings (at max. voltage)		
IEC 60947-2	15 kA	10 kA
IEC 60898	15 kA	10 kA
Operational switching capacity	7.5 kA	7.5 kA
Max. back-up fuse [gL/gG]	125A	125A
Rated impulse withstand— $U_{imp}$	4000 Vac	4000 Vac
Rated insulation voltage— $U_i$	440 Vac	440 Vac
<b>Supplementary Protectors—UL/CSA</b>		
Current range	0.5–63A	1–63A
Maximum voltage ratings—UL/CSA		
Single-pole, single-pole + neutral	277 Vac 48 Vdc	277 Vac 48 Vdc
Two-, three-, four-pole and three-pole + neutral	480Y/277 Vac	480Y/277 Vac
Two poles in series	96 Vdc	96 Vdc
Thermal tripping characteristics		
Single-pole	1.35 x $I_n$ @ 40°C	1.35 x $I_n$ @ 40°C
Multi-pole	1.45 x $I_n$ @ 40°C	1.45 x $I_n$ @ 40°C
Short-circuit ratings (at max. voltage)		
Single-pole	5 kA @ 277 Vac	5 kA @ 277 Vac
Single-pole + neutral	5 kA @ 277 Vac	5 kA @ 277 Vac
Two-, three-, four-pole	5 kA @ 480Y/277 Vac	5 kA @ 480Y/277 Vac
<b>Environmental/General</b>		
Selectivity class	3	3
Lifespan (operations)	> 10000 (1 operation = ON/OFF)	> 10000 (1 operation = ON/OFF)
Shock (IEC 68-2-22)	10g–120 ms	10g–120 ms
Operating temperature range	-5 to +40°C	-5 to +40°C
<b>Mechanical</b>		
Standard front dimension		
Device height	80 mm	80 mm
Terminal protection	Finger and back-of-hand proof	Finger and back-of-hand proof
Mounting width per pole	17.5 mm	17.5 mm
Mounting	IEC/EN 60715 top-hat rail	IEC/EN 60715 top-hat rail
Degree of protection	IP20	IP20
Terminals top and bottom	Twin-purpose terminals	Twin-purpose terminals
Supply connection	Line or load side	Line or load side
Terminal capacity [mm <sup>2</sup> ]	1 x 25 / 2 x 10	1 x 25 / 2 x 10
Torque	2.4 Nm	2.4 Nm
Thickness of busbar material	0.8–2 mm	0.8–2 mm
Mounting position	As required	As required

# FAZ6 | Specifications

## Specifications

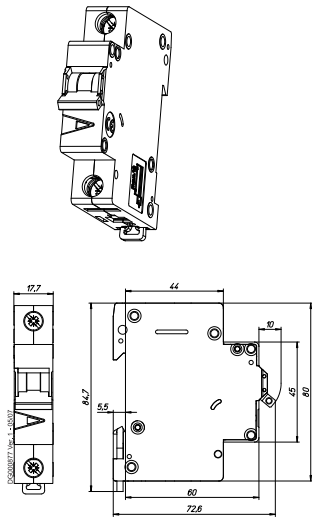
### Technical data

	B Curve	C Curve	D Curve
<b>Electrical</b>			
Standards	IEC/EN 60947-2		
Short-circuit trip response	3–5 I <sub>n</sub>	5–10 I <sub>n</sub>	10–20 I <sub>n</sub>
Current range	6–63A	0.5–63A	6–63A
Maximum voltage ratings	230/400Vac 60Vdc/pole, max. 2 poles	230/400Vac 60Vdc/pole, max. 2 poles	230/400Vac 60Vdc/pole, max. 2 poles
Thermal tripping characteristics			
Single-pole	> 1 hour @ 1.05 x I <sub>n</sub>	> 1 hour @ 1.05 x I <sub>n</sub>	> 1 hour @ 1.05 x I <sub>n</sub>
Multi-pole	< 1 hour @ 1.3 x I <sub>n</sub>	< 1 hour @ 1.3 x I <sub>n</sub>	< 1 hour @ 1.3 x I <sub>n</sub>
Interrupt ratings (at max. voltage)			
IEC 60947-2	10kA	10kA	10kA
IEC 60898	6kA	6kA	6kA
Rated impulse withstand—U <sub>imp</sub>	4000Vac	4000Vac	4000Vac
Rated insulation voltage—U <sub>i</sub>	440Vac	440Vac	440Vac
<b>Environmental/General</b>			
Selectivity class	3	3	3
Lifespan (operations)	> 10000 (1 operation = ON/OFF)	> 10000 (1 operation = ON/OFF)	> 10000 (1 operation = ON/OFF)
Shock (IEC 68-2-22)	10g–120 ms	10g–120 ms	10g–120 ms
Operating temperature range	-40 to +75°C	-40 to +75°C	-40 to +75°C
<b>Mechanical</b>			
Standard front dimension			
Device height	80 mm	80 mm	80 mm
Terminal protection	Finger and back-of-hand proof	Finger and back-of-hand proof	Finger and back-of-hand proof
Mounting width per pole	17.5 mm	17.5 mm	17.5 mm
Mounting	EC/EN 60715 top-hat rail	IEC/EN 60715 top-hat rail	IEC/EN 60715 top-hat rail
Degree of protection	IP20	IP20	IP20
Terminals top and bottom	Twin-purpose terminals	Twin-purpose terminals	Twin-purpose terminals
Supply connection	Line or load side	Line or load side	Line or load side
Terminal capacity [mm <sup>2</sup> ]	1 x 25 / 2 x 10	1 x 25 / 2 x 10	1 x 25 / 2 x 10
Torque	2.4 Nm	2.4 Nm	2.4 Nm
Thickness of busbar material	0.8–2 mm	0.8–2 mm	0.8–2 mm
Mounting position	As required	As required	As required

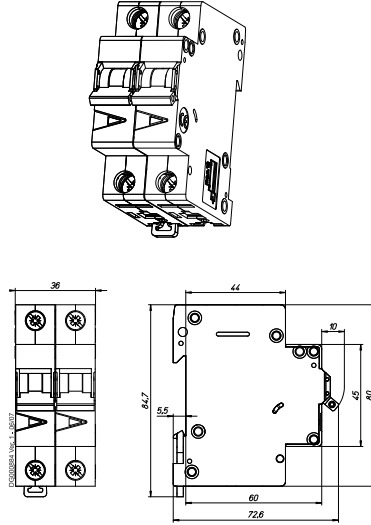
# FAZ / FAZ6 | Specifications

## Dimensions (mm) FAZ

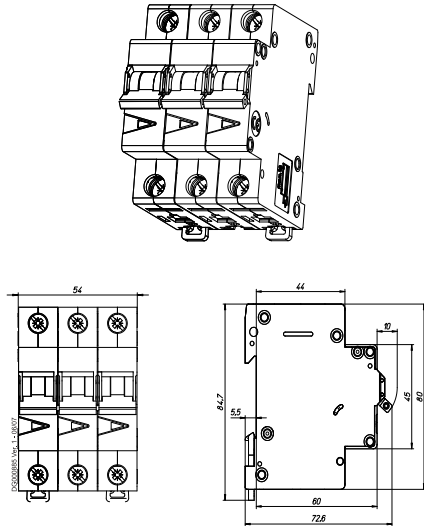
1-pole



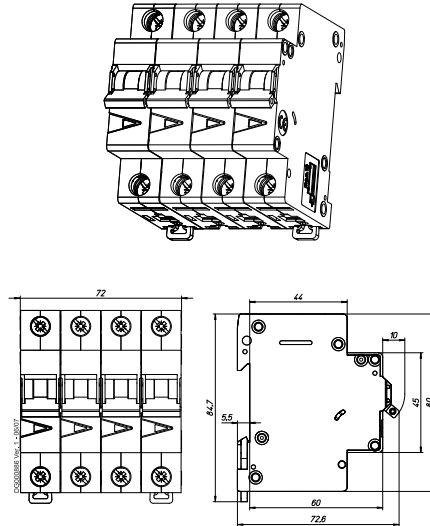
1+N-pole, 2-pole



3-pole



3+N-pole, 4-pole

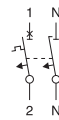


## Connection diagrams

1-pole



1+N-pole (2MU)



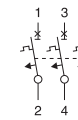
2-pole



3-pole



3+N-pole



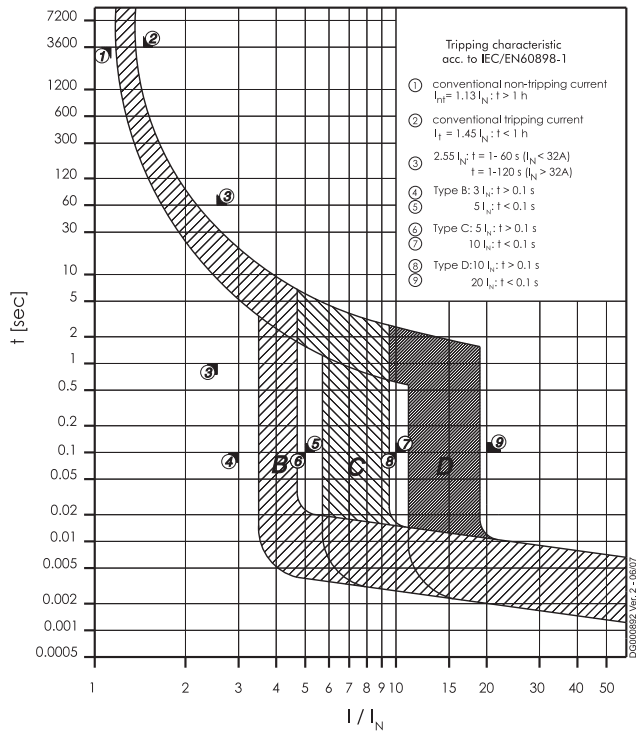
4-pole



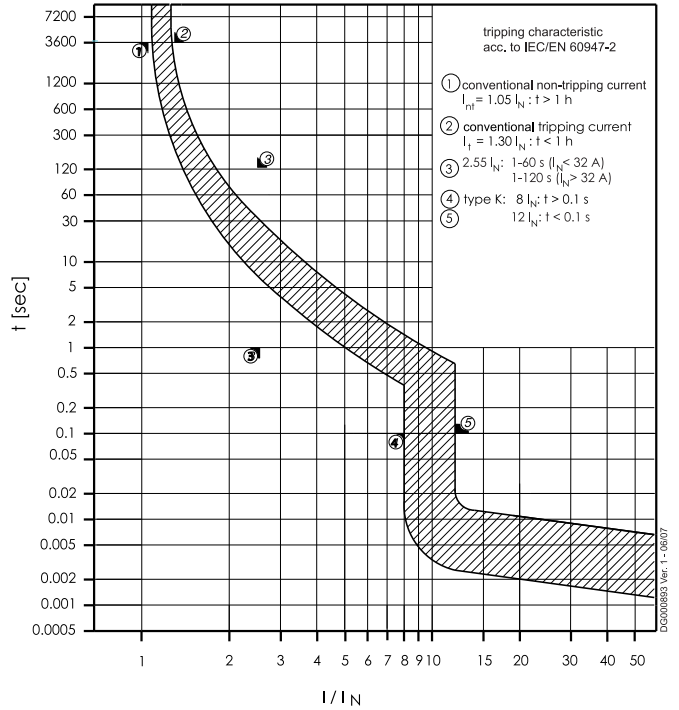
# FAZ / FAZ6 | Specifications

## Tripping Characteristic

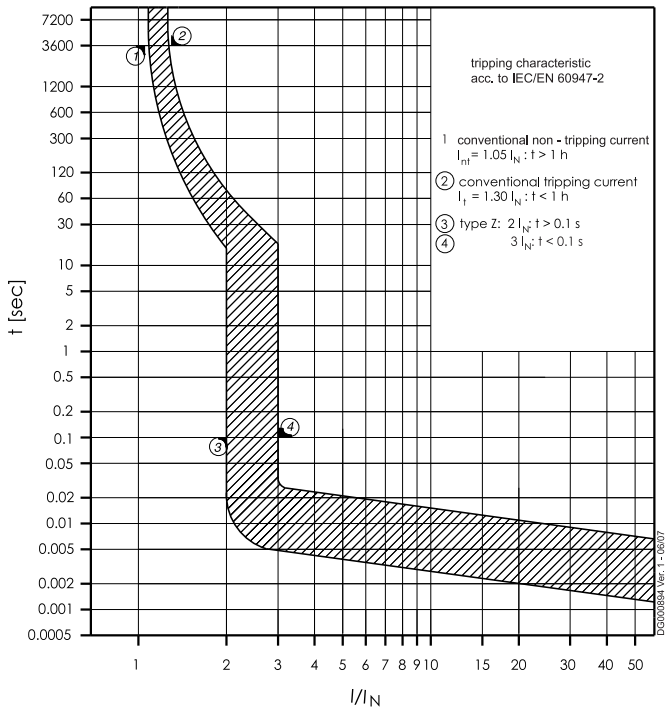
Characteristics B, C and D - IEC/EN60898-1



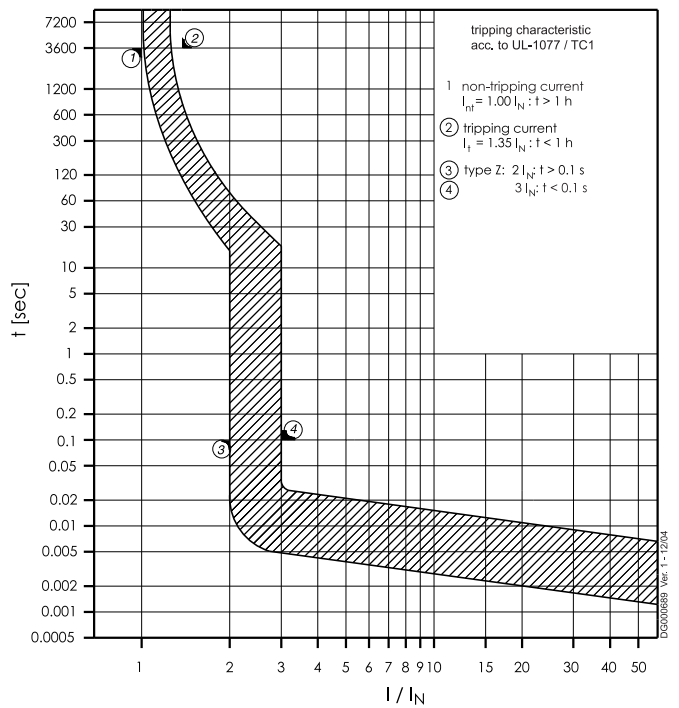
Characteristic K - IEC/EN 60947-2



Characteristic Z - IEC/EN 60947-2


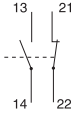

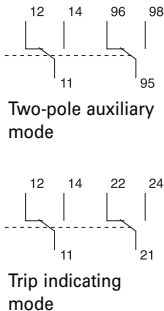
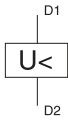

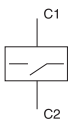


Characteristic Z - UL1077

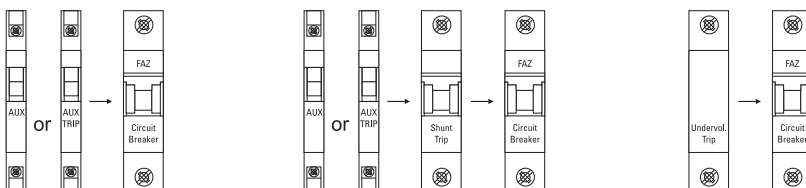


# Accessories for FAZ / FAZ6 - MCBs

## Auxiliary Contacts and Voltage Trips

	Circuit Diagram	Description	Rated Operational Voltage	Type Designation	Article No.	Units per package
		<b>Standard Auxiliary Contact</b>				
		<ul style="list-style-type: none"> <li>• 1NO/1NC</li> <li>• Installs on left side of MCB or shunt trip</li> <li>• Max. one per FAZ (1077) device</li> <li>• Switches when MCB is tripped electrically or manually</li> </ul>	230 Vac	FAZ-XHIN11	286054	1
		<b>Auxiliary/Trip Indicating Contact</b>				
		<ul style="list-style-type: none"> <li>• Small selector screw changes mode</li> <li>• Two Form C (changeover) contacts</li> <li>• Installs on left side of MCB or shunt trip</li> <li>• Auxiliary contacts switch when MCB is tripped electrically or manually</li> <li>• Trip indicating contact switches only when MCB is tripped electrically</li> </ul>	230 Vac	FAZ-XAM002	262414	1
		<b>Undervoltage Trip</b>				
		<ul style="list-style-type: none"> <li>• Prevents MCB from operating unless voltage is present</li> <li>• Installs on left side of MCB</li> <li>• Includes test button</li> </ul>	115 Vac	FAZ-XUA(115VAC)	212049	1
			230 Vac	FAZ-XUA(230VAC)	212051	1
			400 Vac	FAZ-XUA(400VAC)	212053	1
		<b>Shunt Trip</b>				
		<ul style="list-style-type: none"> <li>• Allows remote trip of MCB</li> <li>• Installs on left side of MCB</li> </ul>	12–110 Vac	FAZ-XAA-C-12-110VAC	278518	1
			110–415 Vac	FAZ-XAA-C-110-415VAC	278519	1
			12–60 Vdc			
			110–230 Vdc			
		<b>Padlock Hasp (for all FAZ)</b>				
		<ul style="list-style-type: none"> <li>• Prevents reactivation of the device during maintenance</li> <li>• Holds one padlock</li> </ul>		IS/SPE-1TE	101911	1

## Allowable Combinations of Accessories



# Accessories for FAZ / FAZ6 - MCBs

## Specifications

### Technical Data

	<b>FAZ-XHIN</b> <b>FAZ-XAM002</b>	<b>FAZ-XAA-C</b>	<b>FAZ-XUA</b>
<b>Electrical</b>			
Contact function	1A + 1B 2 C/O	—	—
Rated operational voltage $U_n$	250 Vac	—	115 Vac 230 Vac 400 Vac
Voltage range	—	12–110 Vac 12–60 Vdc	—
Voltage range	—	110–415 Vac 110–230 Vdc	—
Closing threshold [ $\times U_n$ ]	—	—	0.8
Tripping threshold [ $\times U_n$ ]	—	—	0.5
Rated frequency $f$	50/60 Hz	50/60 Hz	50/60 Hz
General use (UL/CSA)			
AC—230/240 Vac	2/2A	—	—
DC—110/120 Vdc	0.5/0.5A	—	—
Pilot duty	A600/Q600	—	—
Conventional free air thermal current $I_{th}$	4A	—	—
Rated operational current			
AC-13 $I_e$	3A (250 Vac)	—	—
AC-15 $I_e$	2A (250 Vac)	—	—
DC-13 $I_e$	0.5A (110 Vdc)	—	—
Rated insulation voltage $U_i$	250 Vac	—	—
Minimum operating voltage per contract $U_{min}$	5 Vdc	—	—
Rated impulse withstand voltage (1.2/50) $U_{imp}$	2.5 kV	—	—
Rated conditional short-circuit current			
with 6A back-up fuse $I_{SC}$	1 kA	—	—
Max. admissible back-up fuse	4A gL	—	—
<b>Mechanical</b>			
Standard front dimension	45 mm	45 mm	45 mm
Device height	80 mm	80 mm	80 mm
Mounting width	8.8 mm	17.6 mm	17.8 mm
Degree of protection enclosed	IP40	IP40	IP40
Terminal protection	Protection against electric shock to IEC 536	Protection against electric shock to IEC 536	Protection against electric shock to IEC 536
Terminals	Lift terminals	Twin-purpose terminals	Twin-purpose terminals
Terminal capacity [mm <sup>2</sup> ]			
Solid	0.5–2.5	1–2.5	2 x (1–2.5)
Flexible	0.5–2.5	1–2.5	2 x (1–2.5)
Tightening torque of terminal screws	0.8–1.0 Nm (7–9 lb-in)	2.4 Nm (21 lb-in)	0.8 Nm (7 lb-in)

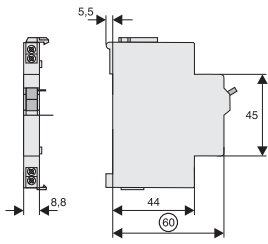


# Accessories for FAZ / FAZ6 - MCBs

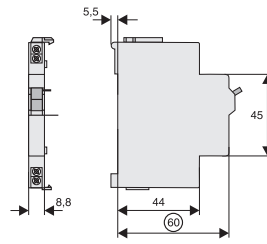
## Dimensions (mm) Accessories

### Auxiliary Contacts

FAZ-XHI11

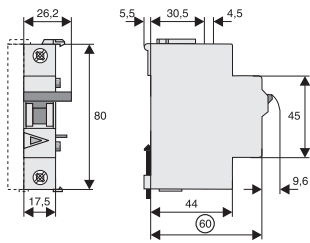


FAZ-XAM002



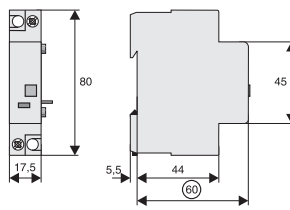
### Shunt Releases

FAZ-XAA



### Undervoltage Releases

FAZ-XUA



At Eaton, we're energized by the challenge of powering a world that demands more. With over 100 years experience in electrical power management, we have the expertise to see beyond today. From groundbreaking products to turnkey design and engineering services, critical industries around the globe count on Eaton.

We power businesses with reliable, efficient and safe electrical power management solutions. Combined with our personal service, support and bold thinking, we are answering tomorrow's needs today. Follow the charge with Eaton.

Visit [eaton.com/electrical](http://eaton.com/electrical).

**Eaton Electric Limited**

Grimshaw Lane  
Middleton  
Manchester M24 1GQ  
United Kingdom  
Customer Support Centre  
Tel: +44 (0)8700 545 333  
Fax: +44 (0)8700 540 333  
email: [ukcommorders@eaton.com](mailto:ukcommorders@eaton.com)

© 2015 Eaton Corporation  
All Rights Reserved  
Printed in UK  
Form No. BR01101001U  
April 2015



*Powering Business Worldwide*

[www.eaton.uk.com/electrical](http://www.eaton.uk.com/electrical)