



Instrument Transformers, Inc.

a division of GE Multilin



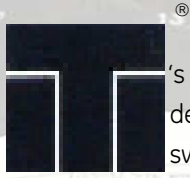
Series 95 Switches



UL[®] **US**
UL File No. E101598



INSTRUMENT AND CONTROL SWITCH



's Instrument and Control Switch is a heavy-duty rotary switch that satisfies the most demanding requirements of the industrial control and power applications. These switches are 600V AC rated and are recognized by Underwriters Laboratories in the United States and Canada.

Some of the typical standard applications for the Series 95 are:

- Circuit-breaker control
- Motor control
- Voltmeter Selector and Transfer
- Ammeter Selector and Transfer
- Synchroscope Control
- Control Selector Switch Applications

The Series 95 switches have the following standard features:

Standard 3-hole Mounting #8-32 screw terminals

- Nema class A Insulating materials (105°C)
- Silver contact surfaces for long reliable life
- Double-sided, double-wiping, knife-type rotary contacts

Special Features for Circuit Breaker Control switches include:

- Mechanical red/green target
- Slip contact for alarm and indicator circuits
- Pull-to-Lock mechanism to return the switch handle to normal (vertical) position
- Selection of Lighted Escutcheon plates

Special features for Meter Control switches include:

- Make-Before-Break (shorting contacts for ammeter control)
- Common-input Tap-Switch arrangement whereby the meter may be sequentially connected to several lines using the same switching deck
- Positive positioning detent mechanism
- Pre-wired jumpers

Special features for synchroscope applications include:

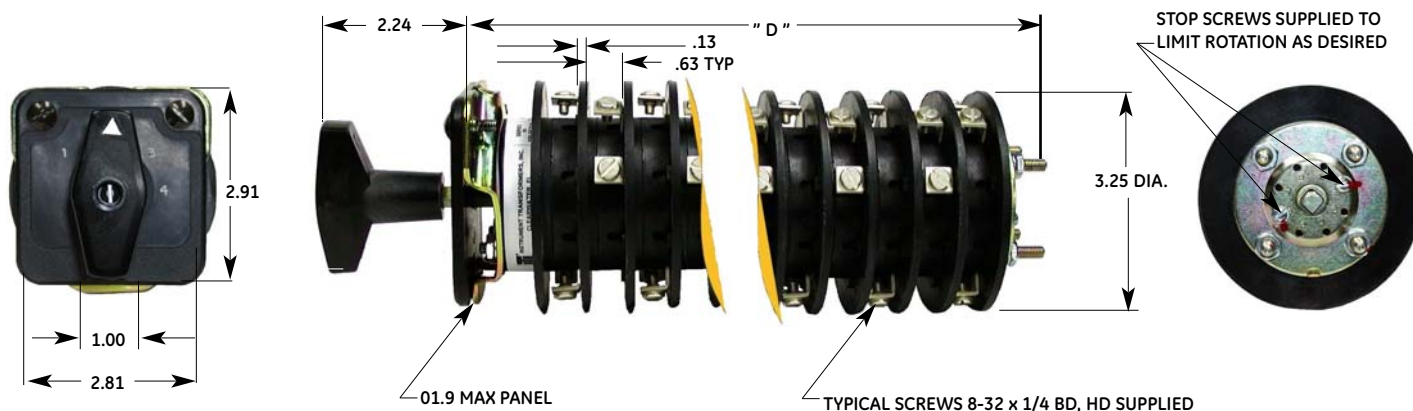
- Removable Oval Handles
- Key lockable arrangements

The following details the most common applications, contact arrangements and escutcheon plate markings. For combination of contact arrangements, handles, escutcheon plate marking and special features not shown, contact the factory for availability.



INSTRUMENT AND CONTROL SWITCH

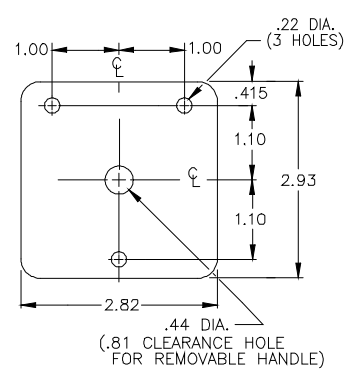
INSTRUMENT AND CONTROL SWITCHES



DEPTH BEHIND PANEL	
NUMBER OF DECKS	DEPTH INCHES "D"
1	2.4
2	2.9
3	3.6
4	4.3
5	4.8
6	5.4
7	6.2
8	6.6
9	7.4
10	8.0

UL
 UL File No. E101598

INTERRUPTING RATING
 20A-120 VAC
 15A-240VAC
 6A-600VAC
 3A-125VDC
 1A-250VDC

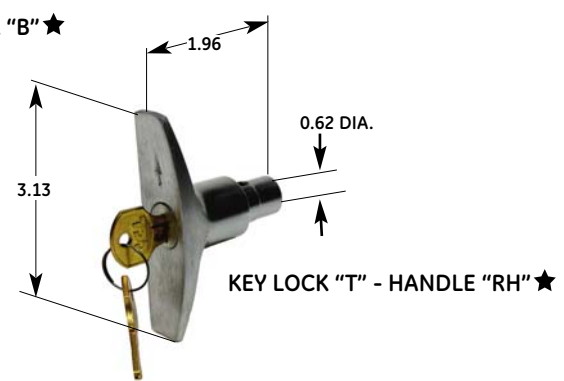
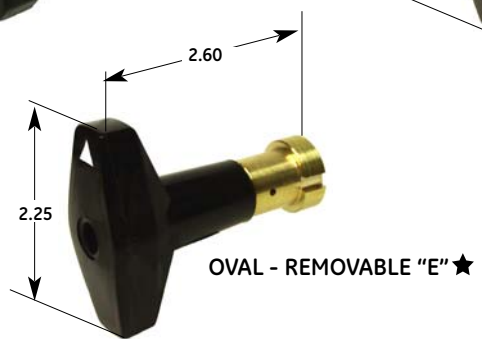
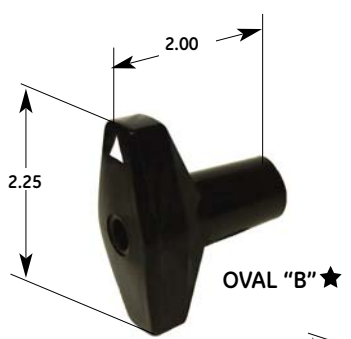
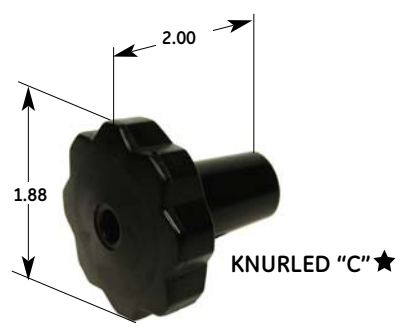


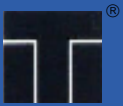
MAKE ONLY RATINGS:
 75A- 120 VAC
 37.5-240VAC
 75A-24-125VDC
 37.5A-250VDC

Slip Contact - add 1.5"
 Pull - to- lock- Add 1"
 (these are approximate dimensions)

OPEN CONTINUOUS RATING - 30A-600V
 DIELECTRIC STRENGTH - 2200VRMS

★ LETTER APPEARING AFTER MODEL NO i.e. 952401C





INSTRUMENT AND CONTROL SWITCH

ROTARY SWITCHES FOR INSTRUMENT CONTROL

APPLICATION	ESCUTCHEON	CONTACTING AND WIRING DIAGRAMS																						
<p>VOLTMETER TRANSFER SWITCH 2 Wire, Single Phase or D-C Double Pole / Single Pole Throw</p> <p>Handle: Round, Knurled Cat. No. 952401C Depth behind panel 2.40</p>		<table border="1"> <thead> <tr> <th>DECK</th> <th>CONTACT</th> <th>POSITION</th> </tr> <tr> <td></td> <td></td> <td>OFF</td> </tr> <tr> <td></td> <td></td> <td>ON</td> </tr> </thead> <tbody> <tr> <td>1</td> <td>12-11-13 16-11-17</td> <td>X</td> </tr> </tbody> </table>	DECK	CONTACT	POSITION			OFF			ON	1	12-11-13 16-11-17	X										
DECK	CONTACT	POSITION																						
		OFF																						
		ON																						
1	12-11-13 16-11-17	X																						
<p>VOLTMETER TRANSFER SWITCH 4 Phase, Two Phase or Two separated D-C circuits Double Pole / Double Throw</p> <p>Handle: Round, Knurled Cat. No. 952402C Depth behind panel 2.40</p>		<table border="1"> <thead> <tr> <th>DECK</th> <th>CONTACT</th> <th>POSITION</th> </tr> <tr> <td></td> <td></td> <td>1</td> </tr> <tr> <td></td> <td></td> <td>OFF</td> </tr> <tr> <td></td> <td></td> <td>2</td> </tr> </thead> <tbody> <tr> <td>1</td> <td>11-11-18 12-11-13 15-11-14 16-11-17</td> <td>X X X X</td> </tr> </tbody> </table>	DECK	CONTACT	POSITION			1			OFF			2	1	11-11-18 12-11-13 15-11-14 16-11-17	X X X X							
DECK	CONTACT	POSITION																						
		1																						
		OFF																						
		2																						
1	11-11-18 12-11-13 15-11-14 16-11-17	X X X X																						
<p>VOLTMETER TRANSFER SWITCH 3 Phase, Phase to neutral Double Pole / Triple Throw</p> <p>Handle: Round, Knurled Cat. No. 952403C Depth behind panel 2.90</p>		<table border="1"> <thead> <tr> <th>DECK</th> <th>CONTACT</th> <th>POSITION</th> </tr> <tr> <td></td> <td></td> <td>OFF</td> </tr> <tr> <td></td> <td></td> <td>1</td> </tr> <tr> <td></td> <td></td> <td>2</td> </tr> <tr> <td></td> <td></td> <td>3</td> </tr> </thead> <tbody> <tr> <td>1</td> <td>11-12 11-13 11-14</td> <td>X X X</td> </tr> <tr> <td>2</td> <td>21-22 21-23 21-24</td> <td>X X X</td> </tr> </tbody> </table>	DECK	CONTACT	POSITION			OFF			1			2			3	1	11-12 11-13 11-14	X X X	2	21-22 21-23 21-24	X X X	
DECK	CONTACT	POSITION																						
		OFF																						
		1																						
		2																						
		3																						
1	11-12 11-13 11-14	X X X																						
2	21-22 21-23 21-24	X X X																						
<p>VOLTMETER TRANSFER SWITCH 3 Phase, Phase to Phase Double Pole / Triple Throw</p> <p>Handle: Round, Knurled Cat. No. 952404C Depth behind panel 2.90</p>		<table border="1"> <thead> <tr> <th>DECK</th> <th>CONTACT</th> <th>POSITION</th> </tr> <tr> <td></td> <td></td> <td>OFF</td> </tr> <tr> <td></td> <td></td> <td>1</td> </tr> <tr> <td></td> <td></td> <td>2</td> </tr> <tr> <td></td> <td></td> <td>3</td> </tr> </thead> <tbody> <tr> <td>1</td> <td>11-12 11-13 11-14</td> <td>X X X</td> </tr> <tr> <td>2</td> <td>21-22 21-23 21-24</td> <td>X X X</td> </tr> </tbody> </table>	DECK	CONTACT	POSITION			OFF			1			2			3	1	11-12 11-13 11-14	X X X	2	21-22 21-23 21-24	X X X	
DECK	CONTACT	POSITION																						
		OFF																						
		1																						
		2																						
		3																						
1	11-12 11-13 11-14	X X X																						
2	21-22 21-23 21-24	X X X																						
<p>VOLTMETER TRANSFER SWITCH 3 Phase, Phase to Phase and Phase to neutral Double Pole / Six Throw</p> <p>Handle: Round, Knurled Cat. No. 952405C Depth behind panel 2.90</p>		<table border="1"> <thead> <tr> <th>DECK</th> <th>CONTACT</th> <th>POSITION</th> </tr> <tr> <td></td> <td></td> <td>1</td> </tr> <tr> <td></td> <td></td> <td>2</td> </tr> <tr> <td></td> <td></td> <td>3</td> </tr> </thead> <tbody> <tr> <td>1</td> <td>11-12 11-13 11-14 11-16 11-17 11-18</td> <td>X X X X X X</td> </tr> <tr> <td>2</td> <td>21-22 21-23 21-24 21-26 21-27 21-28</td> <td>X X X X X X</td> </tr> </tbody> </table>	DECK	CONTACT	POSITION			1			2			3	1	11-12 11-13 11-14 11-16 11-17 11-18	X X X X X X	2	21-22 21-23 21-24 21-26 21-27 21-28	X X X X X X				
DECK	CONTACT	POSITION																						
		1																						
		2																						
		3																						
1	11-12 11-13 11-14 11-16 11-17 11-18	X X X X X X																						
2	21-22 21-23 21-24 21-26 21-27 21-28	X X X X X X																						
<p>VOLTMETER TRANSFER SWITCH 6 Wire, Two 3 Phase circuit, Phase to Phase Double Pole / Six Throw</p> <p>Handle: Round, Knurled Cat. No. 952406C Depth behind panel 2.90</p>		<table border="1"> <thead> <tr> <th>DECK</th> <th>CONTACT</th> <th>POSITION</th> </tr> <tr> <td></td> <td></td> <td>OFF</td> </tr> <tr> <td></td> <td></td> <td>1</td> </tr> <tr> <td></td> <td></td> <td>2</td> </tr> <tr> <td></td> <td></td> <td>3</td> </tr> </thead> <tbody> <tr> <td>1</td> <td>11-12 11-13 11-14 11-16 11-17 11-18</td> <td>X X X X X X</td> </tr> <tr> <td>2</td> <td>21-22 21-23 21-24 21-26 21-27 21-28</td> <td>X X X X X X</td> </tr> </tbody> </table>	DECK	CONTACT	POSITION			OFF			1			2			3	1	11-12 11-13 11-14 11-16 11-17 11-18	X X X X X X	2	21-22 21-23 21-24 21-26 21-27 21-28	X X X X X X	
DECK	CONTACT	POSITION																						
		OFF																						
		1																						
		2																						
		3																						
1	11-12 11-13 11-14 11-16 11-17 11-18	X X X X X X																						
2	21-22 21-23 21-24 21-26 21-27 21-28	X X X X X X																						

Consult Factory for non-standard Escutcheon Plates

INSTRUMENT AND CONTROL SWITCH



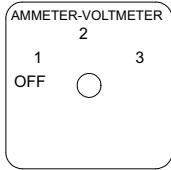
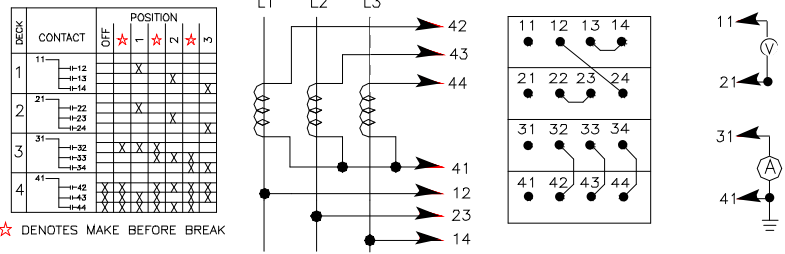
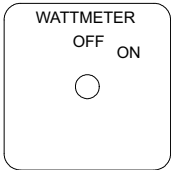
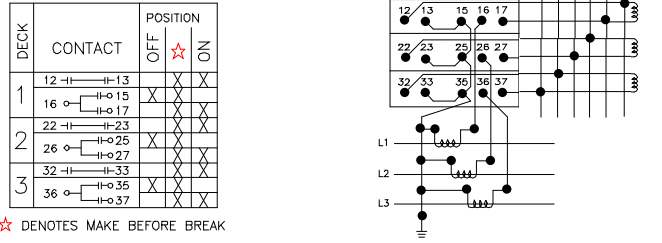
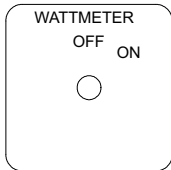
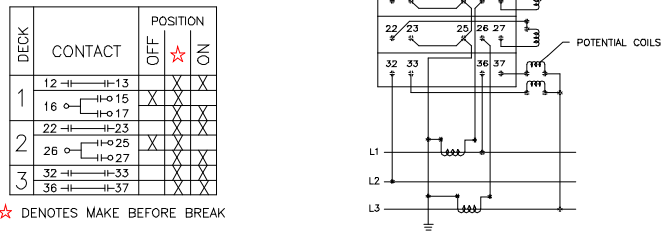
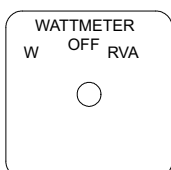
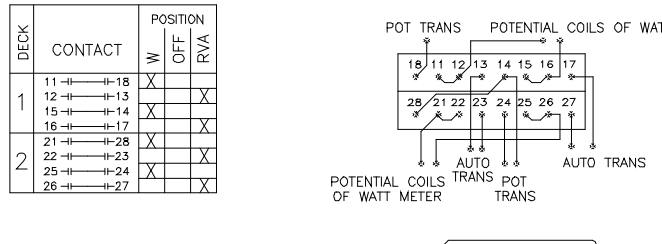
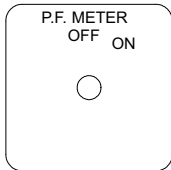
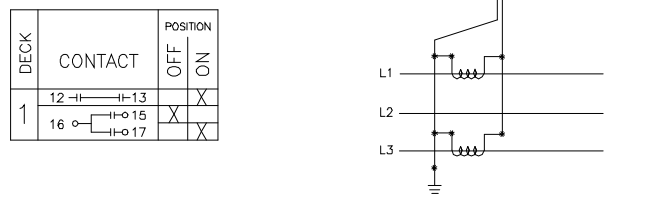
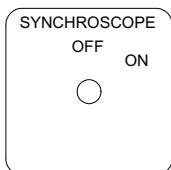
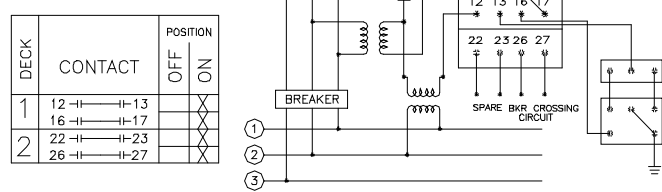
ROTARY SWITCHES FOR INSTRUMENT CONTROL

APPLICATION	ESCUTCHEON	CONTACTING AND WIRING DIAGRAMS																					
<p>AMMETER TRANSFER SWITCH 3 Phase , Two current Transformers</p> <p>Handle: Round, Knurled Cat. No. 952407C Depth behind panel 2.90</p>		<table border="1"> <thead> <tr> <th>DECK</th> <th>CONTACT</th> <th>POSITION</th> </tr> </thead> <tbody> <tr> <td>1</td> <td>11-13, 11-14</td> <td>1, 2, 3</td> </tr> <tr> <td>2</td> <td>21-23, 21-24</td> <td>1, 2, 3</td> </tr> </tbody> </table> <p>☆ DENOTES MAKE BEFORE BREAK</p>	DECK	CONTACT	POSITION	1	11-13, 11-14	1, 2, 3	2	21-23, 21-24	1, 2, 3												
DECK	CONTACT	POSITION																					
1	11-13, 11-14	1, 2, 3																					
2	21-23, 21-24	1, 2, 3																					
<p>AMMETER TRANSFER SWITCH 3 Phase , Two current Transformers</p> <p>Handle: Round, Knurled Cat. No. 952408C Depth behind panel 2.90</p>		<table border="1"> <thead> <tr> <th>DECK</th> <th>CONTACT</th> <th>OFF</th> <th>POSITION</th> </tr> </thead> <tbody> <tr> <td>1</td> <td>11-13, 11-14</td> <td></td> <td>1, 2, 3</td> </tr> <tr> <td>2</td> <td>21-23, 21-24</td> <td></td> <td>1, 2, 3</td> </tr> </tbody> </table> <p>☆ DENOTES MAKE BEFORE BREAK</p>	DECK	CONTACT	OFF	POSITION	1	11-13, 11-14		1, 2, 3	2	21-23, 21-24		1, 2, 3									
DECK	CONTACT	OFF	POSITION																				
1	11-13, 11-14		1, 2, 3																				
2	21-23, 21-24		1, 2, 3																				
<p>AMMETER TRANSFER SWITCH 3 Phase , Three current Transformers</p> <p>Handle: Round, Knurled Cat. No. 952409C Depth behind panel 2.90</p>		<table border="1"> <thead> <tr> <th>DECK</th> <th>CONTACT</th> <th>POSITION</th> </tr> </thead> <tbody> <tr> <td>1</td> <td>11-12, 11-13, 11-14</td> <td>1, 2, 3</td> </tr> <tr> <td>2</td> <td>21-22, 21-23, 21-24</td> <td>1, 2, 3</td> </tr> </tbody> </table> <p>☆ DENOTES MAKE BEFORE BREAK</p>	DECK	CONTACT	POSITION	1	11-12, 11-13, 11-14	1, 2, 3	2	21-22, 21-23, 21-24	1, 2, 3												
DECK	CONTACT	POSITION																					
1	11-12, 11-13, 11-14	1, 2, 3																					
2	21-22, 21-23, 21-24	1, 2, 3																					
<p>AMMETER TRANSFER SWITCH 3 Phase , Three current Transformers</p> <p>Handle: Round, Knurled Cat. No. 952410C Depth behind panel 2.90</p>		<table border="1"> <thead> <tr> <th>DECK</th> <th>CONTACT</th> <th>OFF</th> <th>POSITION</th> </tr> </thead> <tbody> <tr> <td>1</td> <td>11-12, 11-13, 11-14</td> <td></td> <td>1, 2, 3</td> </tr> <tr> <td>2</td> <td>21-22, 21-23, 21-24</td> <td></td> <td>1, 2, 3</td> </tr> </tbody> </table> <p>☆ DENOTES MAKE BEFORE BREAK</p>	DECK	CONTACT	OFF	POSITION	1	11-12, 11-13, 11-14		1, 2, 3	2	21-22, 21-23, 21-24		1, 2, 3									
DECK	CONTACT	OFF	POSITION																				
1	11-12, 11-13, 11-14		1, 2, 3																				
2	21-22, 21-23, 21-24		1, 2, 3																				
<p>AMMETER TRANSFER SWITCH 3 Phase , Phase to Phase and Phase to neutral Double Pole Six Throw</p> <p>Handle: Round, Knurled Cat. No. 952411C (NO OFF)</p> <p>Cat. No. 952412C (WITH OFF) Depth behind panel 5.40</p>	 	<table border="1"> <thead> <tr> <th>DECK</th> <th>CONTACT</th> <th>POSITION</th> </tr> </thead> <tbody> <tr> <td>1</td> <td>11-13, 11-14, 11-15, 11-16, 11-17</td> <td>1, 2, 3</td> </tr> <tr> <td>2</td> <td>21-23, 21-24, 21-25, 21-26, 21-27</td> <td>1, 2, 3</td> </tr> <tr> <td>3</td> <td>31-33, 31-34, 31-35, 31-36, 31-37</td> <td>1, 2, 3</td> </tr> <tr> <td>4</td> <td>41-43, 41-44, 41-45, 41-46, 41-47</td> <td>1, 2, 3</td> </tr> <tr> <td>5</td> <td>51-53, 51-54, 51-55, 51-56, 51-57</td> <td>1, 2, 3</td> </tr> <tr> <td>6</td> <td>61-63, 61-64, 61-65, 61-66, 61-67</td> <td>1, 2, 3</td> </tr> </tbody> </table> <p>☆ DENOTES MAKE BEFORE BREAK</p>	DECK	CONTACT	POSITION	1	11-13, 11-14, 11-15, 11-16, 11-17	1, 2, 3	2	21-23, 21-24, 21-25, 21-26, 21-27	1, 2, 3	3	31-33, 31-34, 31-35, 31-36, 31-37	1, 2, 3	4	41-43, 41-44, 41-45, 41-46, 41-47	1, 2, 3	5	51-53, 51-54, 51-55, 51-56, 51-57	1, 2, 3	6	61-63, 61-64, 61-65, 61-66, 61-67	1, 2, 3
DECK	CONTACT	POSITION																					
1	11-13, 11-14, 11-15, 11-16, 11-17	1, 2, 3																					
2	21-23, 21-24, 21-25, 21-26, 21-27	1, 2, 3																					
3	31-33, 31-34, 31-35, 31-36, 31-37	1, 2, 3																					
4	41-43, 41-44, 41-45, 41-46, 41-47	1, 2, 3																					
5	51-53, 51-54, 51-55, 51-56, 51-57	1, 2, 3																					
6	61-63, 61-64, 61-65, 61-66, 61-67	1, 2, 3																					



INSTRUMENT AND CONTROL SWITCH

ROTARY SWITCHES FOR INSTRUMENT CONTROL

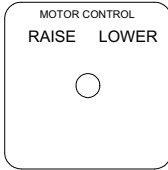
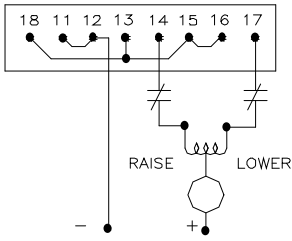
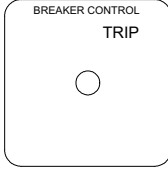
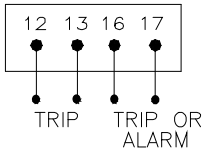
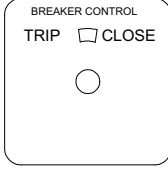
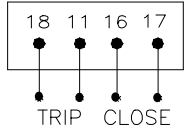
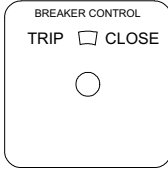
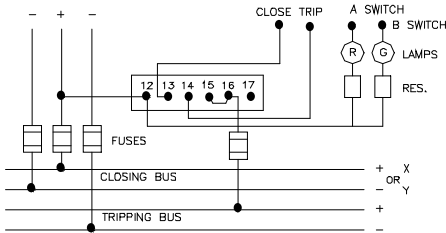
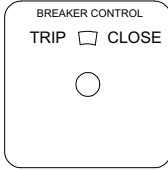
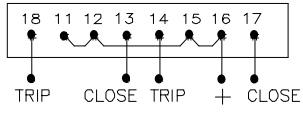
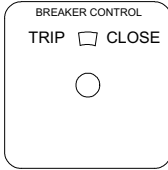
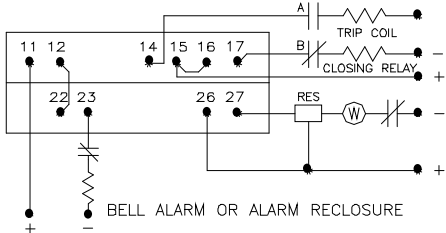
APPLICATION	ESCUTCHEON	CONTACTING AND WIRING DIAGRAMS
<p>AMMETER-VOLTMETER TRANSFER SWITCH</p> <p>3 Phase , Phase to Phase Three current Transformers</p> <p>Handle: Round, Knurled Cat. No. 952415C Depth behind panel 4.30</p>		
<p>WATTMETER TRANSFER SWITCH</p> <p>3 Phase , Three current Transformers Three current Potential Transformers</p> <p>Handle: Round, Knurled Cat. No. 952419C Depth behind panel 3.60</p>		
<p>WATTMETER TRANSFER SWITCH</p> <p>3 Phase , Two current Transformers Two current Coils Two potentials Coils</p> <p>Handle: Round, Knurled Cat. No. 952420C Depth behind panel 3.60</p>		
<p>WATTMETER REVERSING SWITCH</p> <p>Handle: Round, Knurled Cat. No. 952421C Depth behind panel 2.90</p>		
<p>POWER-FACTOR SWITCH</p> <p>3 Phase , Two current Transformers One or Two current Coils</p> <p>Handle: Round, Knurled Cat. No. 952422C Depth behind panel 2.40</p>		
<p>SYNCHRONIZING SWITCH</p> <p>Machine to bus with interlocks</p> <p>Handle: Oval, removable Cat. No. 952424E Depth behind panel 2.90</p>		

Consult Factory for non-standard Escutcheon Plates

INSTRUMENT AND CONTROL SWITCH



ROTARY SWITCHES FOR INSTRUMENT CONTROL

APPLICATION	ESCUTCHEON	CONTACTING AND WIRING DIAGRAMS																																					
<p>MOTOR CONTROL SWITCH GOVERNOR OR RHEOSTAT Split field motor</p> <p>Handle: Pistol grip, Spring return Cat. No. 952427D Depth behind panel 2.40</p>		<table border="1" data-bbox="683 373 906 531"> <thead> <tr> <th rowspan="2">DECK</th> <th rowspan="2">CONTACT</th> <th colspan="3">POSITION</th> </tr> <tr> <th>RAISE</th> <th>NORMAL</th> <th>LOWER</th> </tr> </thead> <tbody> <tr> <td rowspan="4">1</td> <td>11-18</td> <td>X</td> <td></td> <td></td> </tr> <tr> <td>12-13</td> <td></td> <td></td> <td>X</td> </tr> <tr> <td>15-14</td> <td>X</td> <td></td> <td></td> </tr> <tr> <td>16-17</td> <td></td> <td></td> <td>X</td> </tr> </tbody> </table> 	DECK	CONTACT	POSITION			RAISE	NORMAL	LOWER	1	11-18	X			12-13			X	15-14	X			16-17			X												
DECK	CONTACT	POSITION																																					
		RAISE	NORMAL	LOWER																																			
1	11-18	X																																					
	12-13			X																																			
	15-14	X																																					
	16-17			X																																			
<p>CIRCUIT BREAKER TRIP SWITCH Double Pole / Single Throw contacts normally open Handle: Pistol grip, Spring return Cat. No. 952436D Depth behind panel 2.40</p>		<table border="1" data-bbox="683 657 927 800"> <thead> <tr> <th rowspan="2">DECK</th> <th rowspan="2">CONTACT</th> <th colspan="2">POSITION</th> </tr> <tr> <th>NORMAL</th> <th>TRIP</th> </tr> </thead> <tbody> <tr> <td rowspan="2">1</td> <td>12-13</td> <td></td> <td>X</td> </tr> <tr> <td>16-17</td> <td></td> <td>X</td> </tr> </tbody> </table> 	DECK	CONTACT	POSITION		NORMAL	TRIP	1	12-13		X	16-17		X																								
DECK	CONTACT	POSITION																																					
		NORMAL	TRIP																																				
1	12-13		X																																				
	16-17		X																																				
<p>CIRCUIT BREAKER CONTROL SWITCH</p> <p>Handle: Pistol grip, Spring return Cat. No. 952438D Depth behind panel 2.40</p>		<table border="1" data-bbox="683 930 927 1073"> <thead> <tr> <th rowspan="2">DECK</th> <th rowspan="2">CONTACT</th> <th colspan="3">POSITION</th> </tr> <tr> <th>TRIP</th> <th>NORMAL</th> <th>CLOSE</th> </tr> </thead> <tbody> <tr> <td rowspan="2">1</td> <td>11-18</td> <td>X</td> <td></td> <td></td> </tr> <tr> <td>16-17</td> <td></td> <td></td> <td>X</td> </tr> </tbody> </table> 	DECK	CONTACT	POSITION			TRIP	NORMAL	CLOSE	1	11-18	X			16-17			X																				
DECK	CONTACT	POSITION																																					
		TRIP	NORMAL	CLOSE																																			
1	11-18	X																																					
	16-17			X																																			
<p>CIRCUIT BREAKER CONTROL SWITCH</p> <p>Handle: Pistol grip, Spring return Cat. No. 952440D Depth behind panel 2.40</p>		<table border="1" data-bbox="683 1192 906 1335"> <thead> <tr> <th rowspan="2">DECK</th> <th rowspan="2">CONTACT</th> <th colspan="3">POSITION</th> </tr> <tr> <th>TRIP</th> <th>NORMAL</th> <th>CLOSE</th> </tr> </thead> <tbody> <tr> <td rowspan="2">1</td> <td>12-13</td> <td></td> <td>X</td> <td></td> </tr> <tr> <td>15-16-14</td> <td>X</td> <td></td> <td>X</td> </tr> </tbody> </table>  <p>* Contacts 15-16 connected internally in Normal Position.</p>	DECK	CONTACT	POSITION			TRIP	NORMAL	CLOSE	1	12-13		X		15-16-14	X		X																				
DECK	CONTACT	POSITION																																					
		TRIP	NORMAL	CLOSE																																			
1	12-13		X																																				
	15-16-14	X		X																																			
<p>CIRCUIT BREAKER CONTROL SWITCH Operate two breaker</p> <p>Handle: Pistol grip, Spring return Cat. No. 952441D Depth behind panel 2.40</p>		<table border="1" data-bbox="683 1444 927 1623"> <thead> <tr> <th rowspan="2">DECK</th> <th rowspan="2">CONTACT</th> <th colspan="3">POSITION</th> </tr> <tr> <th>TRIP</th> <th>NORMAL</th> <th>CLOSE</th> </tr> </thead> <tbody> <tr> <td rowspan="2">1</td> <td>11-12-18</td> <td>X</td> <td></td> <td></td> </tr> <tr> <td>15-16-14-13</td> <td></td> <td>X</td> <td>X</td> </tr> <tr> <td rowspan="2">1</td> <td>15-16-14</td> <td>X</td> <td></td> <td></td> </tr> <tr> <td>17-17</td> <td></td> <td></td> <td>X</td> </tr> </tbody> </table>  <p>* Contacts 11-12 & 15-16 connected internally in Normal Position.</p>	DECK	CONTACT	POSITION			TRIP	NORMAL	CLOSE	1	11-12-18	X			15-16-14-13		X	X	1	15-16-14	X			17-17			X											
DECK	CONTACT	POSITION																																					
		TRIP	NORMAL	CLOSE																																			
1	11-12-18	X																																					
	15-16-14-13		X	X																																			
1	15-16-14	X																																					
	17-17			X																																			
<p>CIRCUIT BREAKER CONTROL SWITCH Operate two breaker</p> <p>Handle: Pistol grip, Spring return Cat. No. 952442D Depth behind panel 4.30</p>		<table border="1" data-bbox="683 1734 889 1877"> <thead> <tr> <th rowspan="2">DECK</th> <th rowspan="2">CONTACT</th> <th colspan="4">POSITION</th> </tr> <tr> <th>TRIP</th> <th>NAT</th> <th>NAC</th> <th>CLOSE</th> </tr> </thead> <tbody> <tr> <td rowspan="3">1</td> <td>11-12</td> <td>X</td> <td>X</td> <td>X</td> <td></td> </tr> <tr> <td>15-16-14</td> <td></td> <td>X</td> <td>X</td> <td>X</td> </tr> <tr> <td>17-17</td> <td></td> <td></td> <td></td> <td>X</td> </tr> <tr> <td rowspan="2">2</td> <td>22-23</td> <td></td> <td></td> <td></td> <td>X</td> </tr> <tr> <td>26-27</td> <td></td> <td></td> <td></td> <td>X</td> </tr> </tbody> </table>  <p>* Contacts 15-16 connected internally in Normal Position.</p>	DECK	CONTACT	POSITION				TRIP	NAT	NAC	CLOSE	1	11-12	X	X	X		15-16-14		X	X	X	17-17				X	2	22-23				X	26-27				X
DECK	CONTACT	POSITION																																					
		TRIP	NAT	NAC	CLOSE																																		
1	11-12	X	X	X																																			
	15-16-14		X	X	X																																		
	17-17				X																																		
2	22-23				X																																		
	26-27				X																																		



INSTRUMENT AND CONTROL SWITCH

ROTARY SELECTOR SWITCHES

APPLICATION	ESCUTCHEON	CONTACTING AND WIRING DIAGRAMS																																										
<p>CIRCUIT BREAKER CONTROL SWITCH</p> <p>Handle: Pistol grip, Spring return Cat. No. 952443D Depth behind panel 4.70</p>	<p>BREAKER CONTROL TRIP <input type="checkbox"/> CLOSE</p>	<p>* Contacts 15-16 connected internally in Normal Position.</p>																																										
<p>CIRCUIT BREAKER CONTROL SWITCH</p> <p>Handle: Pistol grip, Spring return Cat. No. 952444D Depth behind panel 4.70</p>	<p>BREAKER CONTROL TRIP <input type="checkbox"/> CLOSE</p>	<table border="1"> <thead> <tr> <th>DECK</th> <th>CONTACT</th> <th>TRIP</th> <th>NAT</th> <th>NAC</th> <th>CLOSE</th> </tr> </thead> <tbody> <tr> <td>1</td> <td>11-11-18 16-16-17</td> <td>X</td> <td></td> <td></td> <td>X</td> </tr> <tr> <td>2</td> <td>21-21-22 25-25-26</td> <td></td> <td>X</td> <td>X</td> <td></td> </tr> <tr> <td>3</td> <td>32-32-33 36-36-37</td> <td></td> <td></td> <td>X</td> <td>X</td> </tr> </tbody> </table> <p>} MEMORY DECK</p>	DECK	CONTACT	TRIP	NAT	NAC	CLOSE	1	11-11-18 16-16-17	X			X	2	21-21-22 25-25-26		X	X		3	32-32-33 36-36-37			X	X																		
DECK	CONTACT	TRIP	NAT	NAC	CLOSE																																							
1	11-11-18 16-16-17	X			X																																							
2	21-21-22 25-25-26		X	X																																								
3	32-32-33 36-36-37			X	X																																							
<p>CIRCUIT BREAKER CONTROL SWITCH</p> <p>Handle: Pistol grip, Spring return Cat. No. 952445D Depth behind panel 5.40</p>	<p>BREAKER CONTROL TRIP <input type="checkbox"/> CLOSE</p>	<table border="1"> <thead> <tr> <th>DECK</th> <th>CONTACT</th> <th>TRIP</th> <th>NAT</th> <th>NAC</th> <th>CLOSE</th> </tr> </thead> <tbody> <tr> <td>1</td> <td>11-11-18 16-16-17</td> <td>X</td> <td></td> <td></td> <td>X</td> </tr> <tr> <td>2</td> <td>21-21-22 26-26-27</td> <td></td> <td>X</td> <td>X</td> <td></td> </tr> <tr> <td>3</td> <td>32-32-33 36-36-37</td> <td></td> <td></td> <td>X</td> <td>X</td> </tr> <tr> <td>4</td> <td>41-41-42 45-45-46</td> <td>X</td> <td>X</td> <td></td> <td></td> </tr> </tbody> </table> <p>} MEMORY DECK</p>	DECK	CONTACT	TRIP	NAT	NAC	CLOSE	1	11-11-18 16-16-17	X			X	2	21-21-22 26-26-27		X	X		3	32-32-33 36-36-37			X	X	4	41-41-42 45-45-46	X	X														
DECK	CONTACT	TRIP	NAT	NAC	CLOSE																																							
1	11-11-18 16-16-17	X			X																																							
2	21-21-22 26-26-27		X	X																																								
3	32-32-33 36-36-37			X	X																																							
4	41-41-42 45-45-46	X	X																																									
<p>CIRCUIT BREAKER CONTROL SWITCH</p> <p>Handle: Pistol grip, Spring return Cat. No. 952446D Depth behind panel 5.40</p>	<p>BREAKER CONTROL TRIP <input type="checkbox"/> CLOSE</p>	<table border="1"> <thead> <tr> <th>DECK</th> <th>CONTACT</th> <th>TRIP</th> <th>NAT</th> <th>NAC</th> <th>CLOSE</th> </tr> </thead> <tbody> <tr> <td>1</td> <td>11-11-18 14-14-15</td> <td>X</td> <td></td> <td></td> <td></td> </tr> <tr> <td>2</td> <td>21-21-22 26-26-27</td> <td></td> <td>X</td> <td>X</td> <td></td> </tr> <tr> <td>3</td> <td>32-32-33 36-36-37</td> <td></td> <td></td> <td>X</td> <td>X</td> </tr> <tr> <td>4</td> <td>42-42-43 46-46-47</td> <td></td> <td></td> <td>X</td> <td>X</td> </tr> </tbody> </table> <p>} MEMORY DECK</p>	DECK	CONTACT	TRIP	NAT	NAC	CLOSE	1	11-11-18 14-14-15	X				2	21-21-22 26-26-27		X	X		3	32-32-33 36-36-37			X	X	4	42-42-43 46-46-47			X	X												
DECK	CONTACT	TRIP	NAT	NAC	CLOSE																																							
1	11-11-18 14-14-15	X																																										
2	21-21-22 26-26-27		X	X																																								
3	32-32-33 36-36-37			X	X																																							
4	42-42-43 46-46-47			X	X																																							
<p>CIRCUIT BREAKER CONTROL SWITCH</p> <p>Handle: Pistol grip, Spring return Cat. No. 952450D Depth behind panel 4.70</p>	<p>BREAKER CONTROL TRIP <input type="checkbox"/> CLOSE</p> <p>PULL-TO LOCK <input type="checkbox"/></p>	<table border="1"> <thead> <tr> <th>DECK</th> <th>CONTACT</th> <th>PTL</th> <th>TRIP</th> <th>NAT</th> <th>NAC</th> <th>CLOSE</th> </tr> </thead> <tbody> <tr> <td>1</td> <td>11-11-18 22-22-23</td> <td>X</td> <td>X</td> <td></td> <td></td> <td></td> </tr> <tr> <td>2</td> <td>26-26-27</td> <td></td> <td></td> <td></td> <td></td> <td>X</td> </tr> <tr> <td>3</td> <td>31-31-35</td> <td></td> <td>X</td> <td>X</td> <td>X</td> <td>X</td> </tr> </tbody> </table> <p>Decks 1 & 3 are make-before-break</p>	DECK	CONTACT	PTL	TRIP	NAT	NAC	CLOSE	1	11-11-18 22-22-23	X	X				2	26-26-27					X	3	31-31-35		X	X	X	X														
DECK	CONTACT	PTL	TRIP	NAT	NAC	CLOSE																																						
1	11-11-18 22-22-23	X	X																																									
2	26-26-27					X																																						
3	31-31-35		X	X	X	X																																						
<p>CIRCUIT BREAKER CONTROL SWITCH</p> <p>Handle: Pistol grip, Spring return Cat. No. 952452D Depth behind panel 6.90</p>	<p>BREAKER CONTROL TRIP <input type="checkbox"/> CLOSE</p> <p>PULL-TO LOCK <input type="checkbox"/></p>	<table border="1"> <thead> <tr> <th>DECK</th> <th>CONTACT</th> <th>PTL</th> <th>TRIP</th> <th>NAT</th> <th>NAC</th> <th>CLOSE</th> </tr> </thead> <tbody> <tr> <td>1</td> <td>12-12-13 16-16-17</td> <td></td> <td></td> <td></td> <td></td> <td>X</td> </tr> <tr> <td>2</td> <td>21-21-22 25-25-26</td> <td></td> <td></td> <td>X</td> <td>X</td> <td></td> </tr> <tr> <td>3</td> <td>31-31-38</td> <td>X</td> <td>X</td> <td></td> <td></td> <td>X</td> </tr> <tr> <td>4</td> <td>41-41-48 52-52-53</td> <td></td> <td></td> <td>X</td> <td>X</td> <td>X</td> </tr> <tr> <td>5</td> <td>56-56-57</td> <td></td> <td></td> <td>X</td> <td>X</td> <td>X</td> </tr> </tbody> </table> <p>Decks 3 & 4 are make-before-break } MEMORY DECK</p>	DECK	CONTACT	PTL	TRIP	NAT	NAC	CLOSE	1	12-12-13 16-16-17					X	2	21-21-22 25-25-26			X	X		3	31-31-38	X	X			X	4	41-41-48 52-52-53			X	X	X	5	56-56-57			X	X	X
DECK	CONTACT	PTL	TRIP	NAT	NAC	CLOSE																																						
1	12-12-13 16-16-17					X																																						
2	21-21-22 25-25-26			X	X																																							
3	31-31-38	X	X			X																																						
4	41-41-48 52-52-53			X	X	X																																						
5	56-56-57			X	X	X																																						

Consult Factory for non-standard Escutcheon Plates

INSTRUMENT AND CONTROL SWITCH



ROTARY SELECTOR SWITCHES

APPLICATION	ESCUTCHEON	CONTACTING AND WIRING DIAGRAMS																																																																																									
<p>CIRCUIT BREAKER CONTROL SWITCH</p> <p>UNIVERSAL CIRCUIT</p> <p>Handle: Pistol grip, Spring return Cat. No. 952457D Depth behind panel 6.20</p>		<table border="1"> <thead> <tr> <th rowspan="2">DECK</th> <th rowspan="2">CONTACT</th> <th colspan="4">POSITION</th> </tr> <tr> <th>TRIP</th> <th>NAT</th> <th>NAC</th> <th>CLOSE</th> </tr> </thead> <tbody> <tr> <td rowspan="2">1</td> <td>12 - - -13</td> <td></td> <td></td> <td></td> <td>X</td> </tr> <tr> <td>16 - - -17</td> <td></td> <td></td> <td></td> <td>X</td> </tr> <tr> <td rowspan="2">2</td> <td>21 - - -28</td> <td>X</td> <td></td> <td></td> <td></td> </tr> <tr> <td>24 - - -25</td> <td>X</td> <td></td> <td></td> <td></td> </tr> <tr> <td rowspan="2">3</td> <td>31 - - -32</td> <td></td> <td>X</td> <td>X</td> <td></td> </tr> <tr> <td>35 - - -36</td> <td></td> <td>X</td> <td>X</td> <td></td> </tr> <tr> <td rowspan="2">4</td> <td>42 - - -43</td> <td></td> <td></td> <td>X</td> <td>X</td> </tr> <tr> <td>46 - - -47</td> <td></td> <td></td> <td>X</td> <td>X</td> </tr> <tr> <td rowspan="2">5</td> <td>51 - - -52</td> <td>X</td> <td>X</td> <td></td> <td></td> </tr> <tr> <td>55 - - -56</td> <td>X</td> <td>X</td> <td></td> <td></td> </tr> </tbody> </table> <p style="text-align: right;">} MEMORY DECKS</p>	DECK	CONTACT	POSITION				TRIP	NAT	NAC	CLOSE	1	12 - - -13				X	16 - - -17				X	2	21 - - -28	X				24 - - -25	X				3	31 - - -32		X	X		35 - - -36		X	X		4	42 - - -43			X	X	46 - - -47			X	X	5	51 - - -52	X	X			55 - - -56	X	X																										
DECK	CONTACT	POSITION																																																																																									
		TRIP	NAT	NAC	CLOSE																																																																																						
1	12 - - -13				X																																																																																						
	16 - - -17				X																																																																																						
2	21 - - -28	X																																																																																									
	24 - - -25	X																																																																																									
3	31 - - -32		X	X																																																																																							
	35 - - -36		X	X																																																																																							
4	42 - - -43			X	X																																																																																						
	46 - - -47			X	X																																																																																						
5	51 - - -52	X	X																																																																																								
	55 - - -56	X	X																																																																																								
<p>CIRCUIT BREAKER CONTROL SWITCH</p> <p>UNIVERSAL CIRCUIT</p> <p>Handle: Pistol grip, Spring return Cat. No. 952458D Depth behind panel 8.00</p>		<table border="1"> <thead> <tr> <th rowspan="2">DECK</th> <th rowspan="2">CONTACT</th> <th colspan="4">POSITION</th> </tr> <tr> <th>PTL</th> <th>TRIP</th> <th>NAT</th> <th>NAC</th> <th>CLOSE</th> </tr> </thead> <tbody> <tr> <td rowspan="2">1</td> <td>12 - - -13</td> <td></td> <td></td> <td></td> <td></td> <td>X</td> </tr> <tr> <td>16 - - -17</td> <td></td> <td></td> <td></td> <td></td> <td>X</td> </tr> <tr> <td rowspan="2">2</td> <td>21 - - -28</td> <td></td> <td>X</td> <td></td> <td></td> <td></td> </tr> <tr> <td>24 - - -25</td> <td></td> <td>X</td> <td></td> <td></td> <td></td> </tr> <tr> <td rowspan="2">3</td> <td>33 - - -34</td> <td>X</td> <td></td> <td></td> <td></td> <td></td> </tr> <tr> <td>37 - - -38</td> <td>X</td> <td></td> <td></td> <td></td> <td></td> </tr> <tr> <td rowspan="2">4</td> <td>41 - - -42</td> <td></td> <td></td> <td>X</td> <td>X</td> <td></td> </tr> <tr> <td>45 - - -46</td> <td></td> <td></td> <td>X</td> <td>X</td> <td></td> </tr> <tr> <td rowspan="2">5</td> <td>52 - - -53</td> <td></td> <td></td> <td></td> <td>X</td> <td>X</td> </tr> <tr> <td>56 - - -57</td> <td></td> <td></td> <td></td> <td>X</td> <td>X</td> </tr> <tr> <td rowspan="2">6</td> <td>61 - - -62</td> <td></td> <td>X</td> <td>X</td> <td></td> <td></td> </tr> <tr> <td>65 - - -66</td> <td></td> <td>X</td> <td>X</td> <td></td> <td></td> </tr> </tbody> </table> <p style="text-align: right;">} MEMORY DECKS</p>	DECK	CONTACT	POSITION				PTL	TRIP	NAT	NAC	CLOSE	1	12 - - -13					X	16 - - -17					X	2	21 - - -28		X				24 - - -25		X				3	33 - - -34	X					37 - - -38	X					4	41 - - -42			X	X		45 - - -46			X	X		5	52 - - -53				X	X	56 - - -57				X	X	6	61 - - -62		X	X			65 - - -66		X	X		
DECK	CONTACT	POSITION																																																																																									
		PTL	TRIP	NAT	NAC	CLOSE																																																																																					
1	12 - - -13					X																																																																																					
	16 - - -17					X																																																																																					
2	21 - - -28		X																																																																																								
	24 - - -25		X																																																																																								
3	33 - - -34	X																																																																																									
	37 - - -38	X																																																																																									
4	41 - - -42			X	X																																																																																						
	45 - - -46			X	X																																																																																						
5	52 - - -53				X	X																																																																																					
	56 - - -57				X	X																																																																																					
6	61 - - -62		X	X																																																																																							
	65 - - -66		X	X																																																																																							

Consult Factory for non-standard Escutcheon Plates



INSTRUMENT AND CONTROL SWITCH

DETENT SELECTOR SWITCH

DESCRIPTION	STOPS	CONTACTING AND WIRING DIAGRAMS	CATALOG NUMBERS																																											
OFF - ON SWITCH SINGLE - THROW 1	1 & 7	This first deck is shown. Contacting is identical for all decks. The contact number changes. The first digit is the deck number; e.g. 11 is deck 1, 21 is deck 2, etc. <table border="1"> <thead> <tr> <th rowspan="2">DECK</th> <th rowspan="2">CONTACT</th> <th colspan="2">POSITION</th> </tr> <tr> <th>OFF</th> <th>ON</th> </tr> </thead> <tbody> <tr> <td>1</td> <td>12-13 16-17</td> <td></td> <td>X</td> </tr> </tbody> </table> TYPICAL DECK CONFIGURATION 	DECK	CONTACT	POSITION		OFF	ON	1	12-13 16-17		X	** The catalog numbers are for universal switches that provide all contacting shown. Oval handle supplied. To limit switches to positions shown put limit screws in holes in rear stop plate shown as "Stops". Order jumpers as required, as separate items.																																	
DECK	CONTACT	POSITION																																												
		OFF	ON																																											
1	12-13 16-17		X																																											
DOUBLE THROW SWITCH (ON 1 OFF) 2	1 & 7	<table border="1"> <thead> <tr> <th rowspan="2">DECK</th> <th rowspan="2">CONTACT</th> <th colspan="2">POSITION</th> </tr> <tr> <th>1</th> <th>2</th> </tr> </thead> <tbody> <tr> <td>1</td> <td>12-11 13-13 16-15 17-17</td> <td>X</td> <td>X</td> </tr> </tbody> </table> TYPICAL DECK CONFIGURATION 	DECK	CONTACT	POSITION		1	2	1	12-11 13-13 16-15 17-17	X	X	<table border="1"> <thead> <tr> <th>DECKS</th> <th>CATALOG NO.</th> <th>INCHES*</th> </tr> </thead> <tbody> <tr><td>1</td><td>9524201B</td><td>2.4</td></tr> <tr><td>2</td><td>9524202B</td><td>2.9</td></tr> <tr><td>3</td><td>9524203B</td><td>3.6</td></tr> <tr><td>4</td><td>9524204B</td><td>4.3</td></tr> <tr><td>5</td><td>9524205B</td><td>4.8</td></tr> <tr><td>6</td><td>9524206B</td><td>5.4</td></tr> <tr><td>7</td><td>9524207B</td><td>6.2</td></tr> <tr><td>8</td><td>9524208B</td><td>6.6</td></tr> <tr><td>9</td><td>9524209B</td><td>7.4</td></tr> <tr><td>10</td><td>9524210B</td><td>8.0</td></tr> </tbody> </table> * DEPTH BEHIND PANEL 	DECKS	CATALOG NO.	INCHES*	1	9524201B	2.4	2	9524202B	2.9	3	9524203B	3.6	4	9524204B	4.3	5	9524205B	4.8	6	9524206B	5.4	7	9524207B	6.2	8	9524208B	6.6	9	9524209B	7.4	10	9524210B	8.0
DECK	CONTACT	POSITION																																												
		1	2																																											
1	12-11 13-13 16-15 17-17	X	X																																											
DECKS	CATALOG NO.	INCHES*																																												
1	9524201B	2.4																																												
2	9524202B	2.9																																												
3	9524203B	3.6																																												
4	9524204B	4.3																																												
5	9524205B	4.8																																												
6	9524206B	5.4																																												
7	9524207B	6.2																																												
8	9524208B	6.6																																												
9	9524209B	7.4																																												
10	9524210B	8.0																																												
DOUBLE THROW SWITCH (WITH OFF) 3	2 & 7	<table border="1"> <thead> <tr> <th rowspan="2">DECK</th> <th rowspan="2">CONTACT</th> <th colspan="2">POSITION</th> </tr> <tr> <th>1</th> <th>OFF</th> </tr> </thead> <tbody> <tr> <td>1</td> <td>11-18 12-13 15-14 16-17</td> <td>X</td> <td>X</td> </tr> </tbody> </table> TYPICAL DECK CONFIGURATION 	DECK	CONTACT	POSITION		1	OFF	1	11-18 12-13 15-14 16-17	X	X																																		
DECK	CONTACT	POSITION																																												
		1	OFF																																											
1	11-18 12-13 15-14 16-17	X	X																																											

The above switch will family will be provided as DEVELOPMENT 3 unless otherwise specified. By changing stop screw location and wiring connections the switch may be configured by the consumer as DEVELOPMENTS 1 or 2. Escutcheon for DEVELOPMENT 3 provided as standard unless DEVELOPMENT 1 or 2 specified at time of order. This External Jumper provided to allow common input to circuit 1 & 2. However removal of the Jumper does not isolate the two currents as these two terminals are tied together internally in the off position.

MOMENTARY (SPRING RETURN) ACTION SWITCHES

DESCRIPTION	STOPS	CONTACTING AND WIRING DIAGRAMS	CATALOG NUMBERS																												
OFF - ON SWITCH SINGLE - THROW Spring return 4	1 & 7	<table border="1"> <thead> <tr> <th rowspan="2">DECK</th> <th rowspan="2">CONTACT</th> <th colspan="2">POSITION</th> </tr> <tr> <th>OFF</th> <th>ON</th> </tr> </thead> <tbody> <tr> <td>1</td> <td>12-13 16-17</td> <td></td> <td>X</td> </tr> </tbody> </table> TYPICAL DECK CONFIGURATION 	DECK	CONTACT	POSITION		OFF	ON	1	12-13 16-17		X	** The catalog numbers are for universal switches that provide all contacting shown. Oval handle supplied. To limit switches to positions shown put limit screws in holes in rear stop plate shown as "Stops". Order jumpers as required, as separate items.																		
DECK	CONTACT	POSITION																													
		OFF	ON																												
1	12-13 16-17		X																												
DOUBLE THROW SWITCH SINGLE - THROW Spring return 5	1 & 7	<table border="1"> <thead> <tr> <th rowspan="2">DECK</th> <th rowspan="2">CONTACT</th> <th colspan="2">POSITION</th> </tr> <tr> <th>1</th> <th>2</th> </tr> </thead> <tbody> <tr> <td>1</td> <td>12-11 13-13 16-15 17-17</td> <td>X</td> <td>X</td> </tr> </tbody> </table> TYPICAL DECK CONFIGURATION 	DECK	CONTACT	POSITION		1	2	1	12-11 13-13 16-15 17-17	X	X	<table border="1"> <thead> <tr> <th>DECKS</th> <th>CATALOG NO.</th> <th>INCHES*</th> </tr> </thead> <tbody> <tr><td>1</td><td>9574201B</td><td>2.4</td></tr> <tr><td>2</td><td>9574202B</td><td>2.9</td></tr> <tr><td>3</td><td>9574203B</td><td>3.6</td></tr> <tr><td>4</td><td>9574204B</td><td>4.3</td></tr> <tr><td>5</td><td>9574205B</td><td>5.3</td></tr> </tbody> </table> * DEPTH BEHIND PANEL 	DECKS	CATALOG NO.	INCHES*	1	9574201B	2.4	2	9574202B	2.9	3	9574203B	3.6	4	9574204B	4.3	5	9574205B	5.3
DECK	CONTACT	POSITION																													
		1	2																												
1	12-11 13-13 16-15 17-17	X	X																												
DECKS	CATALOG NO.	INCHES*																													
1	9574201B	2.4																													
2	9574202B	2.9																													
3	9574203B	3.6																													
4	9574204B	4.3																													
5	9574205B	5.3																													
DOUBLE THROW SWITCH Spring return (WITH OFF) 6	2 & 7	<table border="1"> <thead> <tr> <th rowspan="2">DECK</th> <th rowspan="2">CONTACT</th> <th colspan="2">POSITION</th> </tr> <tr> <th>1</th> <th>OFF</th> </tr> </thead> <tbody> <tr> <td>1</td> <td>11-18 12-13 15-14 16-17</td> <td>X</td> <td>X</td> </tr> </tbody> </table> TYPICAL DECK CONFIGURATION Order the jumpers for this arrangement separately (2 per deck P/N 02011-10)	DECK	CONTACT	POSITION		1	OFF	1	11-18 12-13 15-14 16-17	X	X																			
DECK	CONTACT	POSITION																													
		1	OFF																												
1	11-18 12-13 15-14 16-17	X	X																												

The above switch will family will be provided as DEVELOPMENT 6 unless otherwise specified. By changing stop screw location and wiring connections the switch may be configured by the consumer as DEVELOPMENTS 4 or 5. Escutcheon for DEVELOPMENT 6 provided as standard unless DEVELOPMENT 4 or 5 specified at time of order.

INSTRUMENT AND CONTROL SWITCH

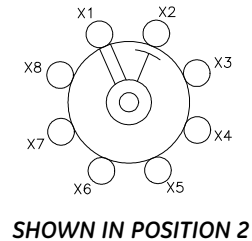


ROTARY SELECTOR SWITCHES

DESCRIPTION	STOPS	CONTACTING AND WIRING DIAGRAMS	CATALOG NUMBERS
7 TRIPLE THROW SWITCH (WITH OFF)	1 & 5		** The catalog numbers are for universal switches that provide all contacting shown. Oval handle supplied. To limit switches to positions shown put limit screws in holes in rear stop plate shown as "Stops". Order jumpers as required, as separate items.
8 4 THROW SWITCH (WITH OFF)	1 & 4		
9 5 - THROW SWITCH (WITH OFF)	1 & 3		
10 6 - THROW SWITCH (WITH OFF)	1 & 2		
11 7- THROW SWITCH (WITH OFF)	NONE		

DECKS	CATALOG NO.	INCHES*
1	9524301B	2.4
2	9524302B	2.9
3	9524303B	3.6
4	9524304B	4.3
5	9524305B	4.8
6	9524306B	5.4
7	9524307B	6.2
8	9524308B	6.6
9	9524309B	7.4
10	9524310B	8.0

* DEPTH BEHIND PANEL



The above switch will family will be provided as DEVELOPMENT 11 unless otherwise specified. By changing stop screw location and wiring connections the switch may be configured by the consumer as DEVELOPMENTS 7 or 10. Escutcheon for DEVELOPMENT 11 provided as standard unless DEVELOPMENT 7 or 10 specified at time of order.

JUMPERS

Strap jumpers are available for adjacent contacts, and wire lug assemblies are available for other terminal jumping. The strap jumpers are available in packages of ten or twenty-five. The wire and lug assemblies are ordered individually. Data is as follows:

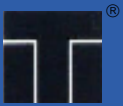
(Strap jumpers are silver-plated brass.)

CATALOG NO: 9502011-10-C3
DESCRIPTION: Jumper, adjacent terminals on the same deck.
 9502012-2-C3
DESCRIPTION: Jumper, same terminal location on adjacent deck.

(Wire and lug assemblies have #10 AWG wire and insulated ring lugs.)

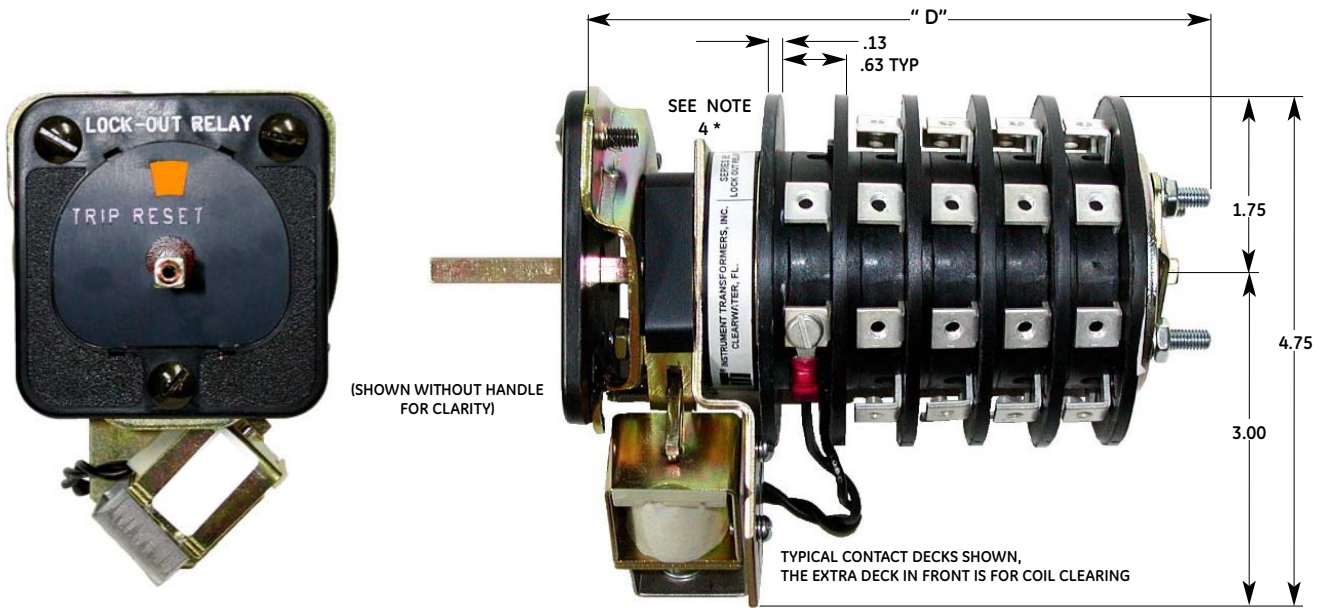
CATALOG NO: 95002012-1
LENGTH (L): 3 - 1/16"
 95002012-2
 4 - 1/4"
 95002012-3
 3 - 5/8"



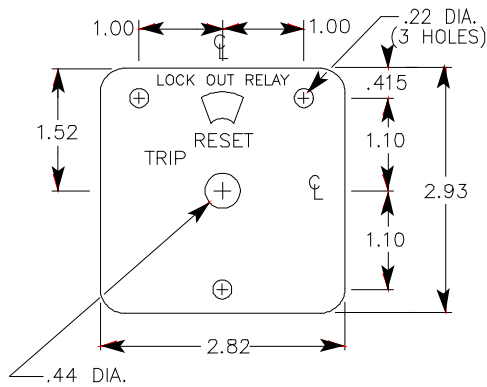


INSTRUMENT AND CONTROL SWITCH

SERIES 95 LOCK OUT RELAY SWITCHES



DRILL PATTERNS & ESCUTCHEON PLATE DIMENSIONS



Notes:

All switch assemblies include the following

- 1 - Escutcheon plate.
 - 3 - No.10 - 32 x 5/8" screw.
- Pistol grip is shown on front cover.
Switches with 6 or more decks require 2nd torsion spring assembly.

Complete technical data is outlined in [Technical Publication ITLOR95. \(DTS-ITLOR95\)](#)

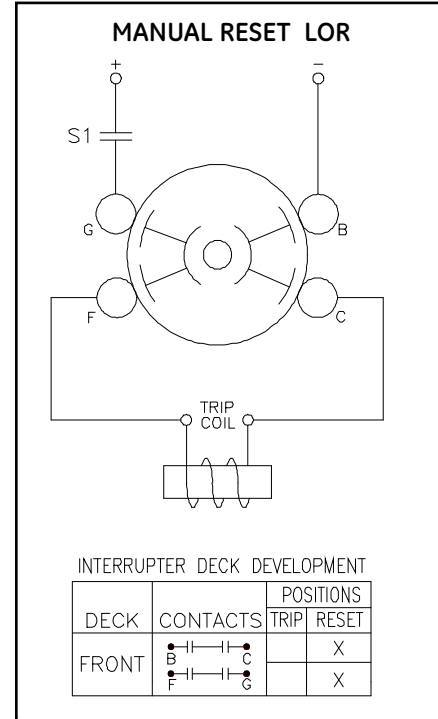
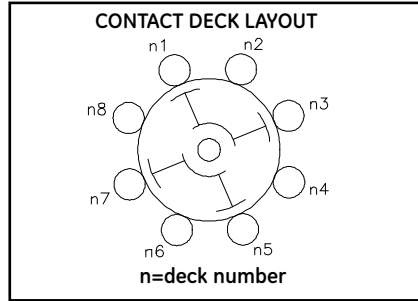
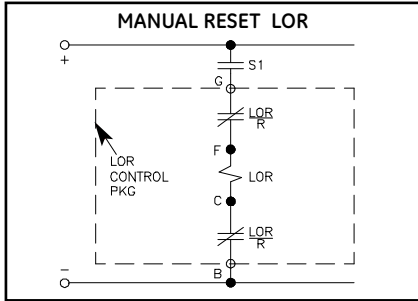
GENERAL PURPOSE RATING			
 UL File No. E101598	30A	600V Open	CARRY
	20A	600V enclosed	CARRY
	20A	120VAC	.8 PF, MAKE & BREAK
	15A	240VAC	.8 PF, MAKE & BREAK
	6A	600VAC	.8 PF, MAKE & BREAK
	3A	125VAC	RESISTIVE MAKE & BREAK
	1A	250VAC	RESISTIVE MAKE & BREAK

DEPTH BEHIND PANEL	
NUMBER OF DECKS	DEPTH INCHES" D"
1	3.6
2	4.3
3	4.7
4	5.5
5	6.2
6	7.5
7	8.1
8	8.5
9	9.2
10	9.6

INSTRUMENT AND CONTROL SWITCH



LOCK OUT RELAY SWITCHES



LOR TRIP COIL	NO ADDITIONAL CIRCUITRY (TARGET)			2A TARGET RESISTOR (R0) IN PARALLEL		2A TARGET RC CIRCUIT		2A TARGET SERIES RESISTOR (RS)		
	.2A	.6A	.2A	25 OHMS	50 OHMS	40 OHMS	20 OHMS	7 OHMS	12.3 OHMS	16.7 OHMS
A B	12	12	42						90	90
C D	24	40	118		80	95	105	95		
E F	40	150		75	150					
				70	125					

INTERRUPTER DECK DEVELOPMENT

DECK	CONTACTS	POSITIONS	
		TRIP	RESET
FRONT	B — — — C F — — — G		X
		X	

COIL	COIL CKT VOLTAGE	COIL CURRENT @ NORMAL VOLTAGE	OPERATING RANGE	COIL CURRENT @ MAXIMUM VOLTAGE OF OPERATING RANGE	COIL RESISTANT @ 25 °C
A	24VDC	7.3	10-40VDC	12.2 AMPS DC	3.3
B	24VDC	3.2	18-50VDC	6.5 AMPS DC	7.7
C	48VDC	3.7	24-70VDC	5.4 AMPS DC	13
D	125VDC	4.6	30-140VDC	5.2 AMPS DC	27
E	125VDC	2.5	45-150VDC	2.8 AMPS DC	50
F	250VDC	2.4	70-280VDC	2.7 AMPS DC	104

TYPICAL SWITCH DEVELOPMENT FOR DECKS 1 THRU 10

DECKS	CONTACTS	POSITIONS	
		TRIP	RESET
n	n1 — — — n3		X
	n2 — — — n8	X	
	n5 — — — n7		X
	n4 — — — n6	X	

WHERE "n" IS DECK NUMBER

DECKS	10-40 VDC A COIL	18-50 VDC B COIL	24-70 VDC C COIL	30-140 VDC D COIL	45-140 VDC E COIL	70-280 VDC F COIL
1	957801A	957801B	957801C	957801D	957801E	957801F
2	957802A	957802B	957802C	957802D	957802E	957802F
3	957803A	957803B	957803C	957803D	957803E	957803F
4	957804A	957804B	957804C	957804D	957804E	957804F
5	957805A	957805B	957805C	957805D	957805E	957805F
6	957806A	957806B	957806C	957806D	957806E	957806F
7	957807A	957807B	957807C	957807D	957807E	957807F
8	957808A	957808B	957808C	957808D	957808E	957808F
9	957809A	957809B	957809C	957809D	957809E	957809F
10	957810A	957810B	957810C	957810D	957810E	957810F

* D COIL HAS BEEN TESTED AND APPROVED FOR USE AT 120V AC

OPERATING DC VOLTS	LOR TRIP COILS TO USE	
	.2 A TARGET	2 A TARGET
150 125	A, B, C B, C, D, E	
150 125 140	D, E, F D, E, F D, E, F	D D
190 250	F F	D D



INSTRUMENT AND CONTROL SWITCH

LIGHTED ESCUTCHEON PLATES

OPERATION - 4 ROWS OF LEDS:

Style 1, Standard Light Configuration

When the handle is turned to the CLOSE position, The flag shows red and the red lights are turned on by an auxiliary switch contact in the circuit breaker. If there is a fault and the circuit breaker trips, an auxiliary switch contact (bell circuit) in the Circuit breaker will close and the yellow lights flash - see typical circuit on page 14. When the handle is turned to the TRIP position, the flag shows green and the green lights are turned on by an auxiliary switch contact in the circuit breaker.

Style 2, (Reversed light Configuration) is selected, the above operation will apply but exchange red to green and green to red.

OPERATION - 2 ROWS OF LEDS:

Style 1, Standard Light Configuration

When the handle is turned to the CLOSE position, the flag shows red and lights are turn on by an auxiliary switch contact in the circuit breaker. When the handle is turned to the TRIP position, the flag shows green and the green lights are turned on by an auxiliary switch contact in the circuit breaker.

Style 2, (Reversed light Configuration) is selected, the above operation will apply but exchanged red to green and green to red.

MATERIALS LIST:

All lighted flag assemblies include the following-

- Escutcheon plate with flag assembly.
- Pistol grip handel with #6-32 x 5/8" screw
- Wire connections are made with #6-32 x 3/9" slotted brass screws with lock washers.
- Switch mounting hardware, 3 ea #10-32 x 1" slotted truss head, black zinc plated screws.



Notes:

1. Panel Mounting
2. Jumper may be added to terminals D, E and/or F for common circuit connections for LEDs.
3. Voltage input is not polarity sensitive.

ORDERING INSTRUCTIONS:

Specify standard switch catalog number and add Lighted Escutcheon DASH NUMBER, ex: 952438D-L4R120. The Lighted Escutcheon requires a special handle and length mounting screws, so the DASH NUMBER must be included on the initial switch order.

STYLE 1

LED VOLTAGE RATING	ROWS OF LEDS	SERIES 95 DASH #
120 VAC 50/60 HZ or 125VDC	2	-L2R120
240 VAC 50/60 HZ or 250VDC	2	-L2R240
48VDC	2	-L2R48
120 VAC 50/60 HZ or 125VDC	4	-L4R120
240 VAC 50/60 HZ or 250VDC	4	-L4R240
48VDC	4	-L4R48

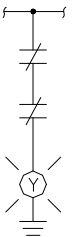
INDICATION	COLOR	TERMINAL DESIGNATIONS	DISPLAY
OPEN	GREEN	A & D	STEADY
CLOSED	RED	B & E	STEADY
*TRIPPED	YELLOW	C & F	FLASHING

STYLE 2

REVERSED LIGHT CONFIGURATION

LED VOLTAGE RATING	ROWS OF LEDS	SERIES 95 DASH #
120 VAC 50/60 HZ or 125VDC	2	-L2R120R
240 VAC 50/60 HZ or 250VDC	2	-L2R240R
48VDC	2	-L2R48R
120 VAC 50/60 HZ or 125VDC	4	-L4R120R
240 VAC 50/60 HZ or 250VDC	4	-L4R240R
48VDC	4	-L4R48R

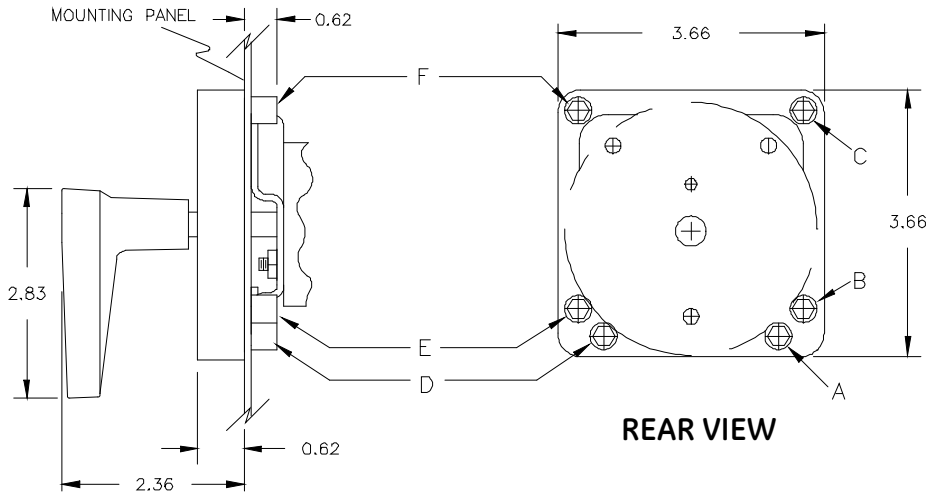
INDICATION	COLOR	TERMINAL DESIGNATIONS	DISPLAY
OPEN	RED	A & D	STEADY
CLOSED	GREEN	B & E	STEADY
*TRIPPED	YELLOW	C & F	FLASHING



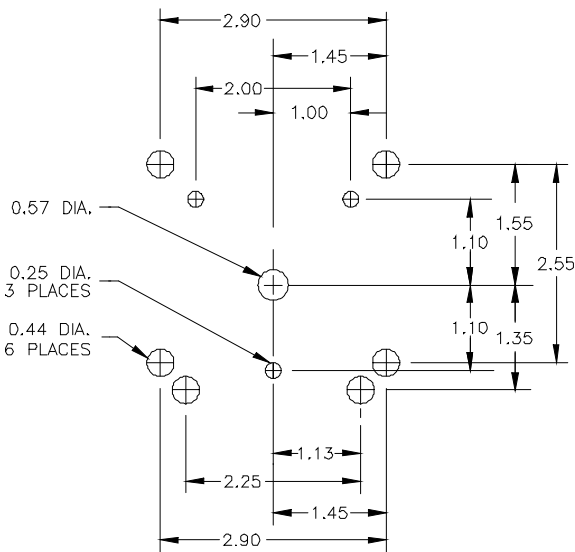
Patented Feature: Leds are removable. If any Led fails and it is removed all others in the row remain lit.



LIGHTED ESCUTCHEON PLATES



REAR VIEW



DRILL PATTERN

QTY	PART #	COLOR
6	LED—MV6351	YELLOW
6	LED—MV6451	GREEN
6	LED—MV6951	RED

Notes:

1. LEDs are removable and inserted by the use of needle nose pliers
2. Polarity should be observed during installation.
3. Molded escutcheon panel LED ports are polarized.

