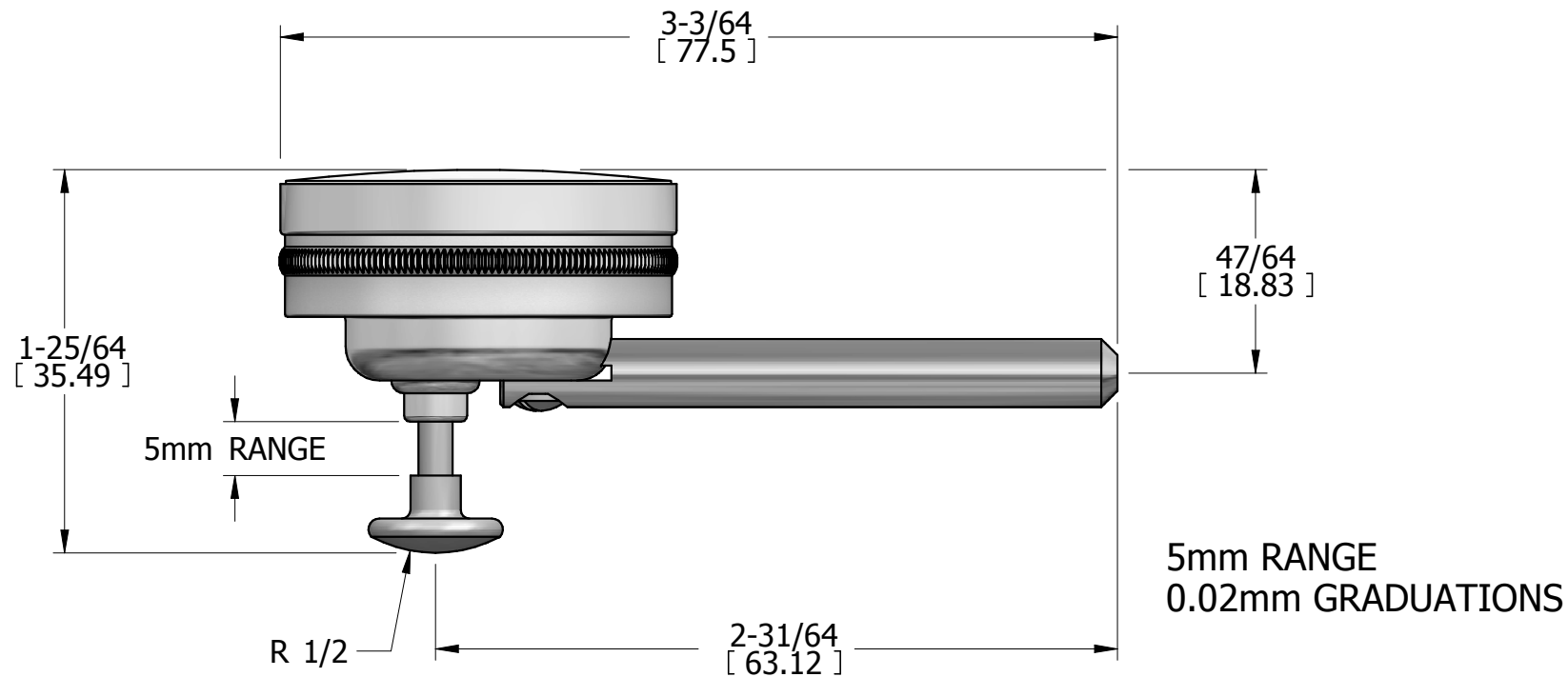
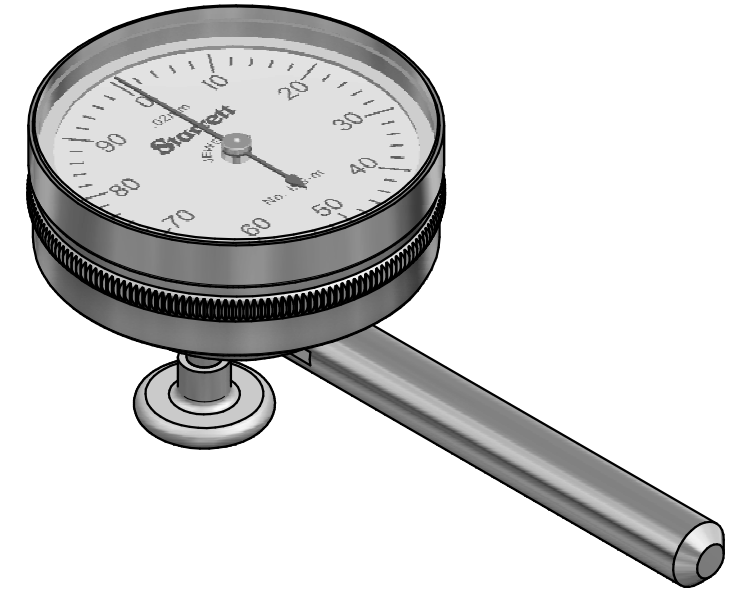
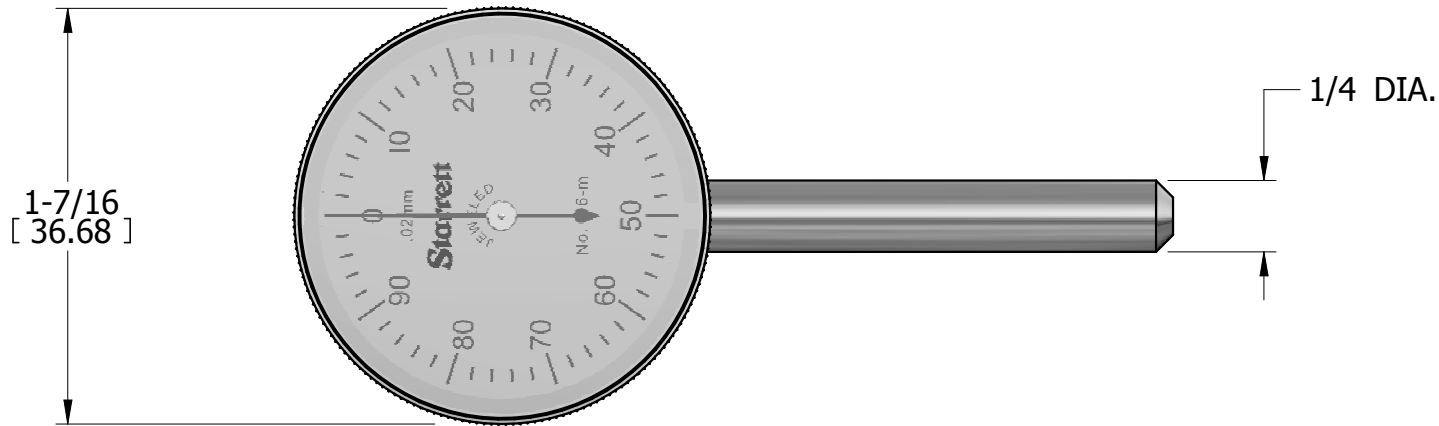


OPER

TOOLS



REV	DESCRIPTION	DATE	BY
-----	-------------	------	----

DR	PBP	CHK	DATE
----	-----	-----	------

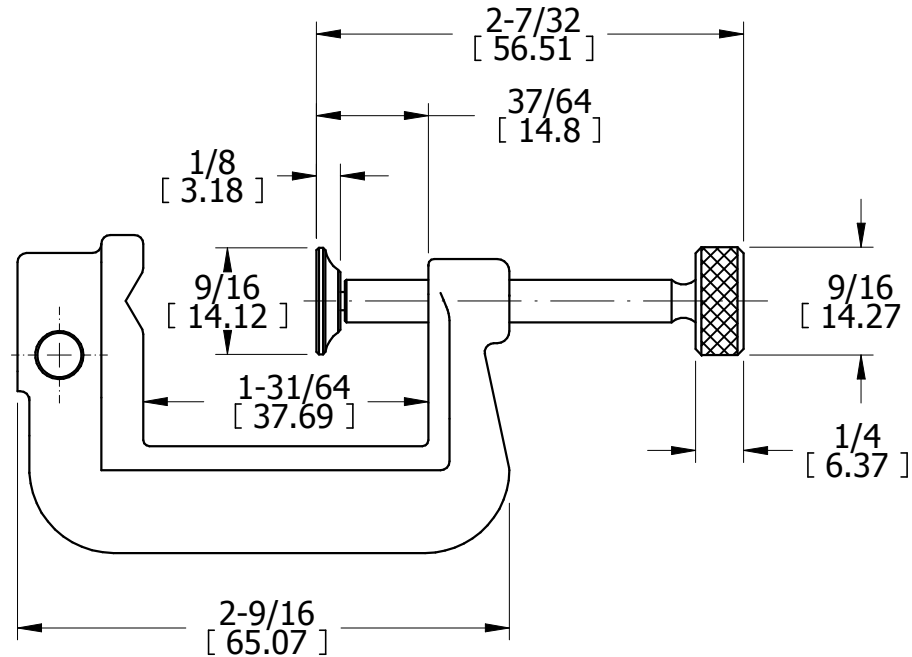
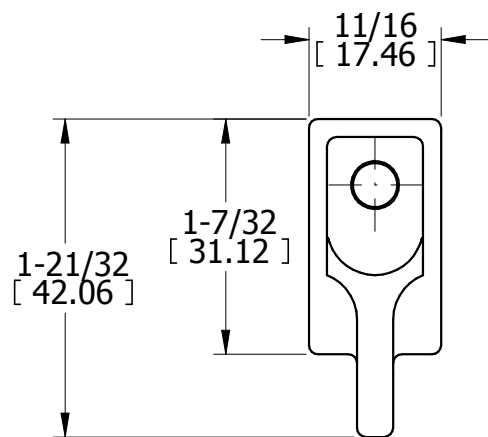
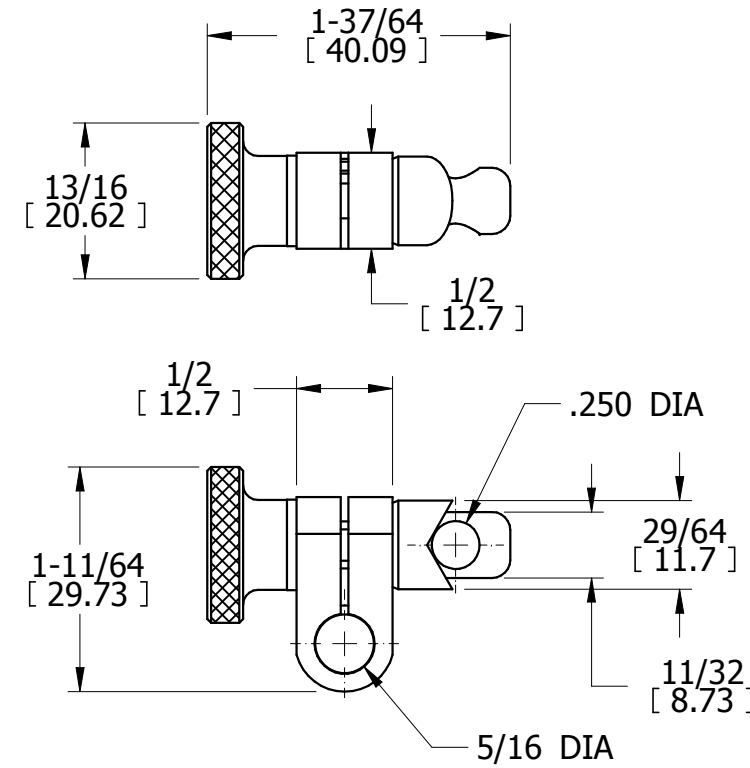
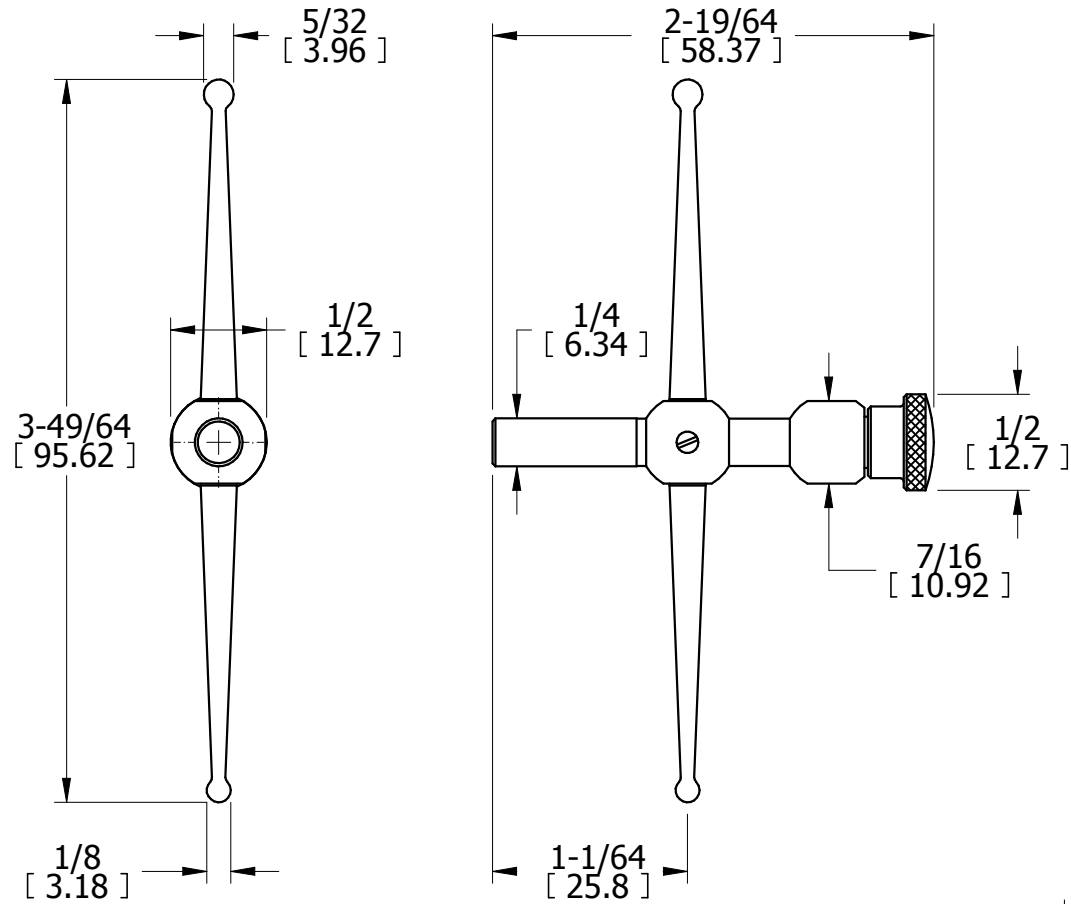
**DIAL INDICATOR
0-100 DIAL
METRIC**

**THE L.S. STARRETT CO.
ATHOL, MASS.**

FRACTIONAL TOLERANCE +- 1/64 UNLESS OTHERWISE NOTED

OPER

TOOLS



REV	DESCRIPTION	DATE	BY
DR	PBP	CHK	DATE

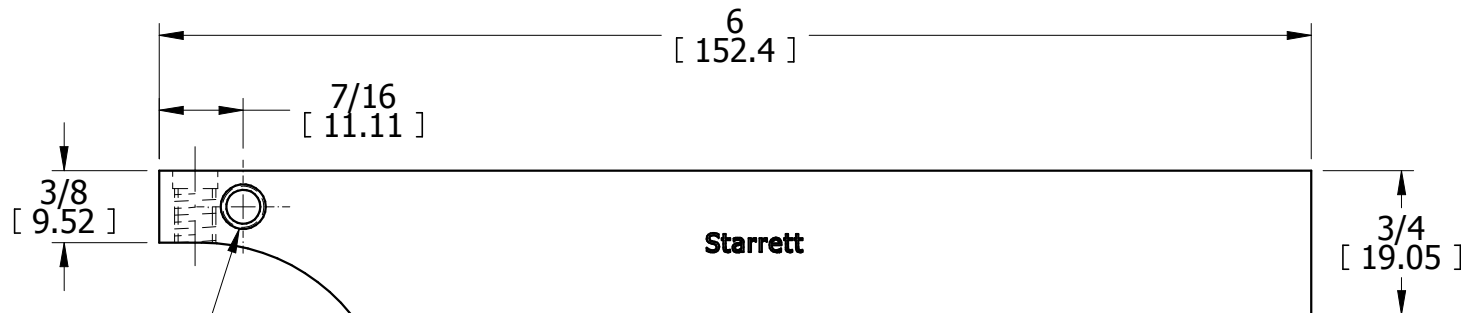
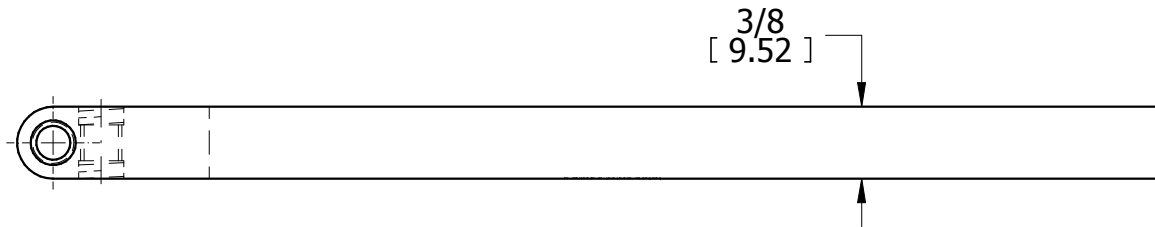
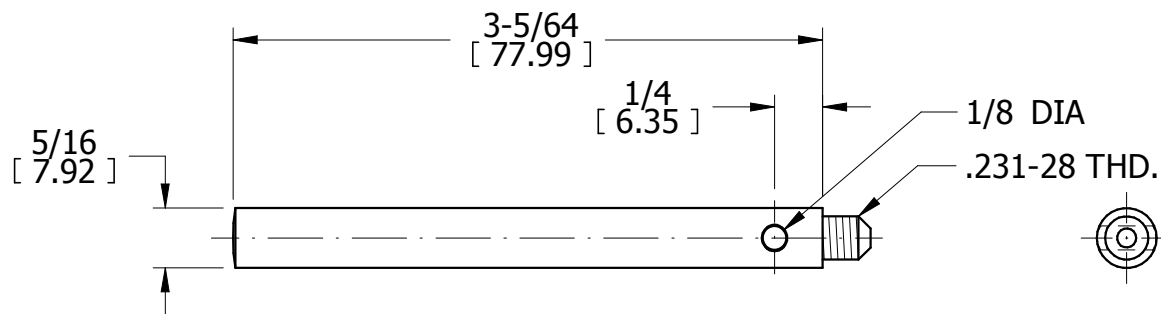
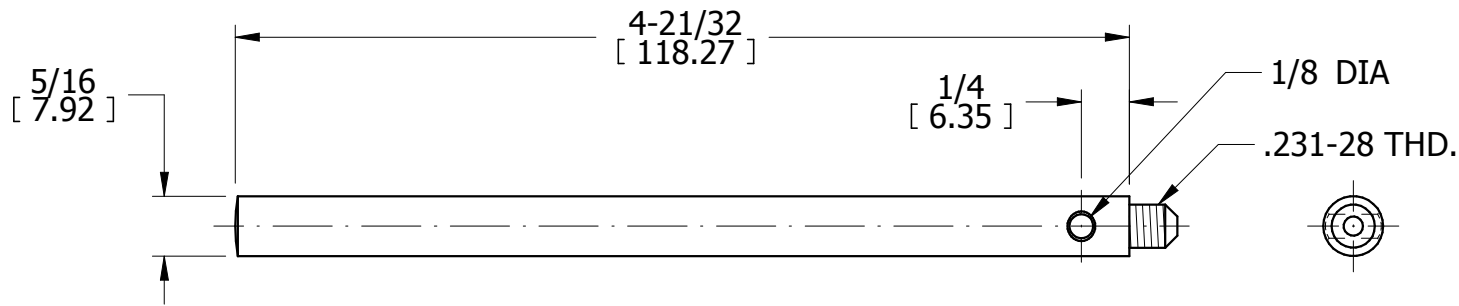
DIAL INDICATOR
0-100 DIAL
METRIC

THE L.S. STARRETT CO.
ATHOL, MASS.

FRACTIONAL TOLERANCE +- 1/64 UNLESS OTHERWISE NOTED

OPER

TOOLS



.231-28-UNS-2B THD. (2)

REV	DESCRIPTION	DATE	BY
DR	PBP	CHK	DATE

DIAL INDICATOR
0-100 DIAL
METRIC

THE L.S. STARRETT CO.
ATHOL, MASS.

FRACTIONAL TOLERANCE +- 1/64 UNLESS OTHERWISE NOTED